

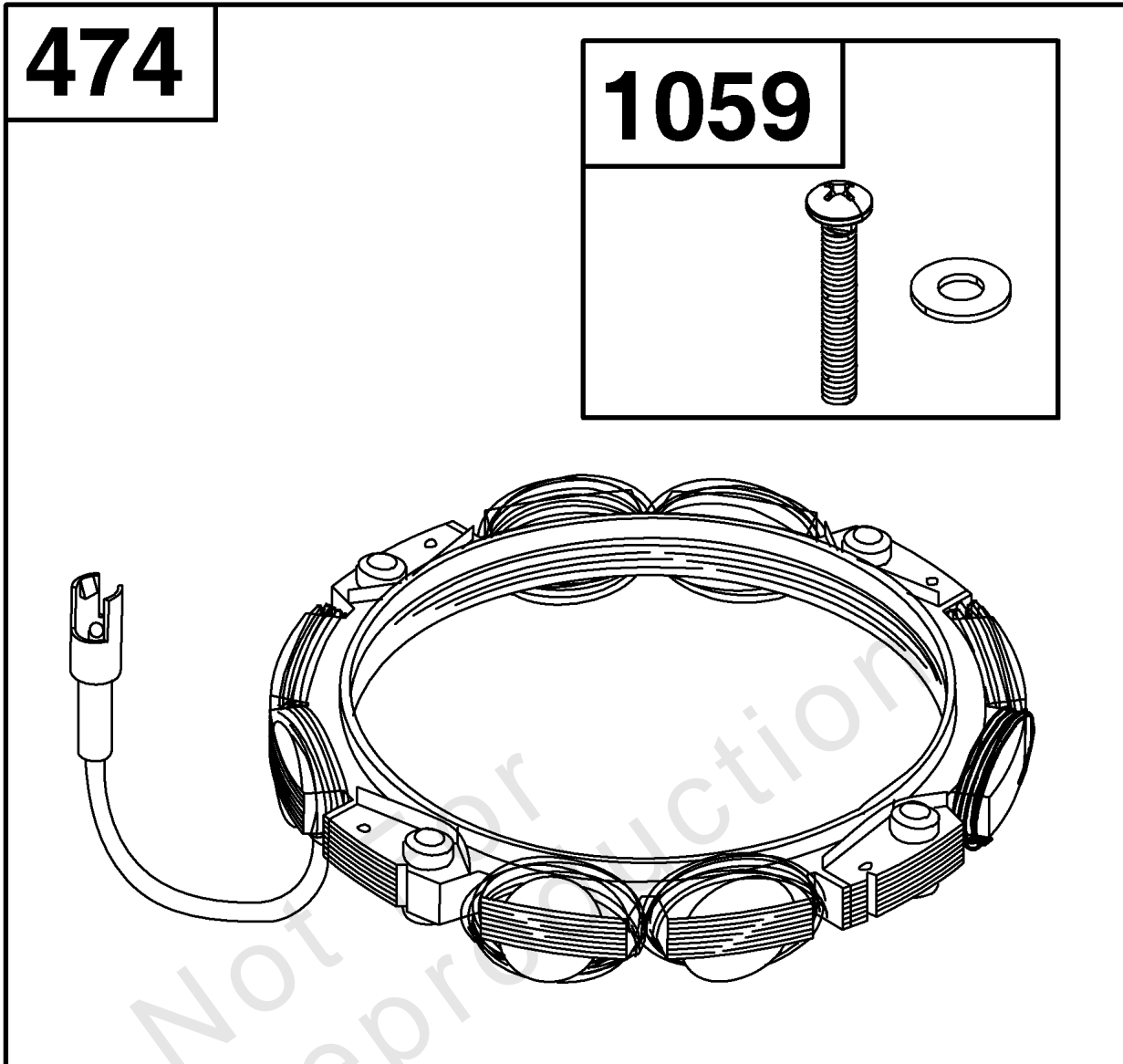


Parts Manual

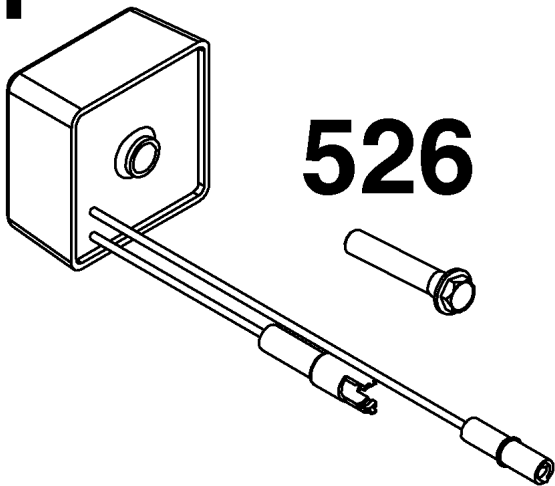
Mfg. No: 33R877-0029-G1

Model Components	Page
Alternator Group.....	4
Blower Housing and Air Cleaner Group.....	6
Carburetor and Fuel Supply Group.....	8
Controls Group.....	10
Crankcase Cover/Sump and Lubrication Group.....	12
Crankshaft Group.....	14
Cylinder Group.....	16
Cylinder Head Group.....	18
Exhaust Group.....	20
Flywheel, Ignition, and Starter Group.....	22
Replacement Engine.....	24

Not For
Reproduction



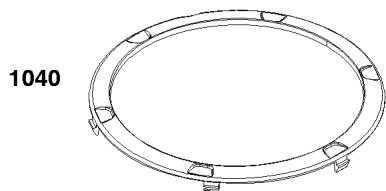
501




Alternator Group

REF NO	PART NO	QTY	DESCRIPTION
474	592829	1	ALTERNATOR
501	794360	1	REGULATOR
526	697088	1	SCREW -(Regulator)
1059	698516	1	KIT, Screw/Washer
1119	691183	4	SCREW -(Alternator)

Not For
Reproduction

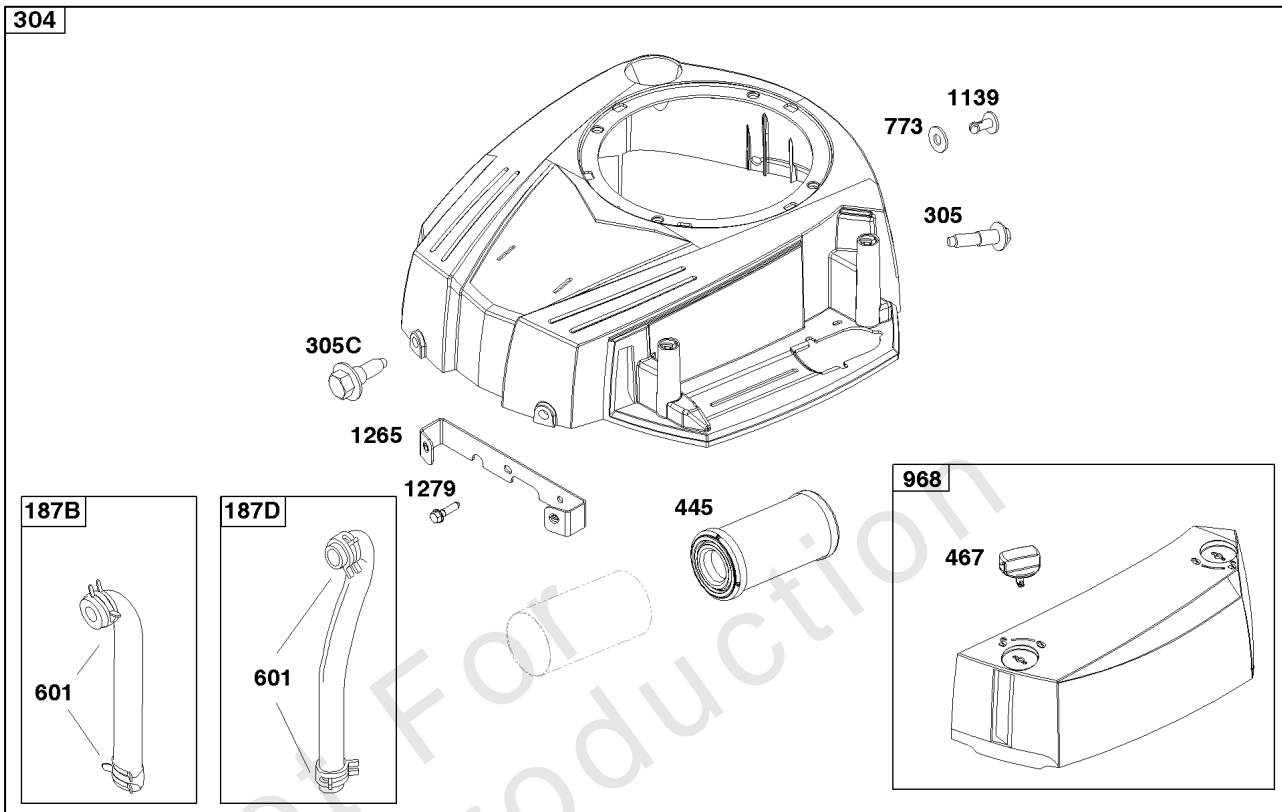


1319
1319A 

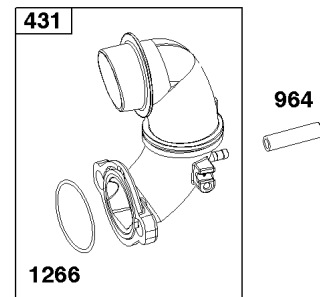
1036 

305B 

304

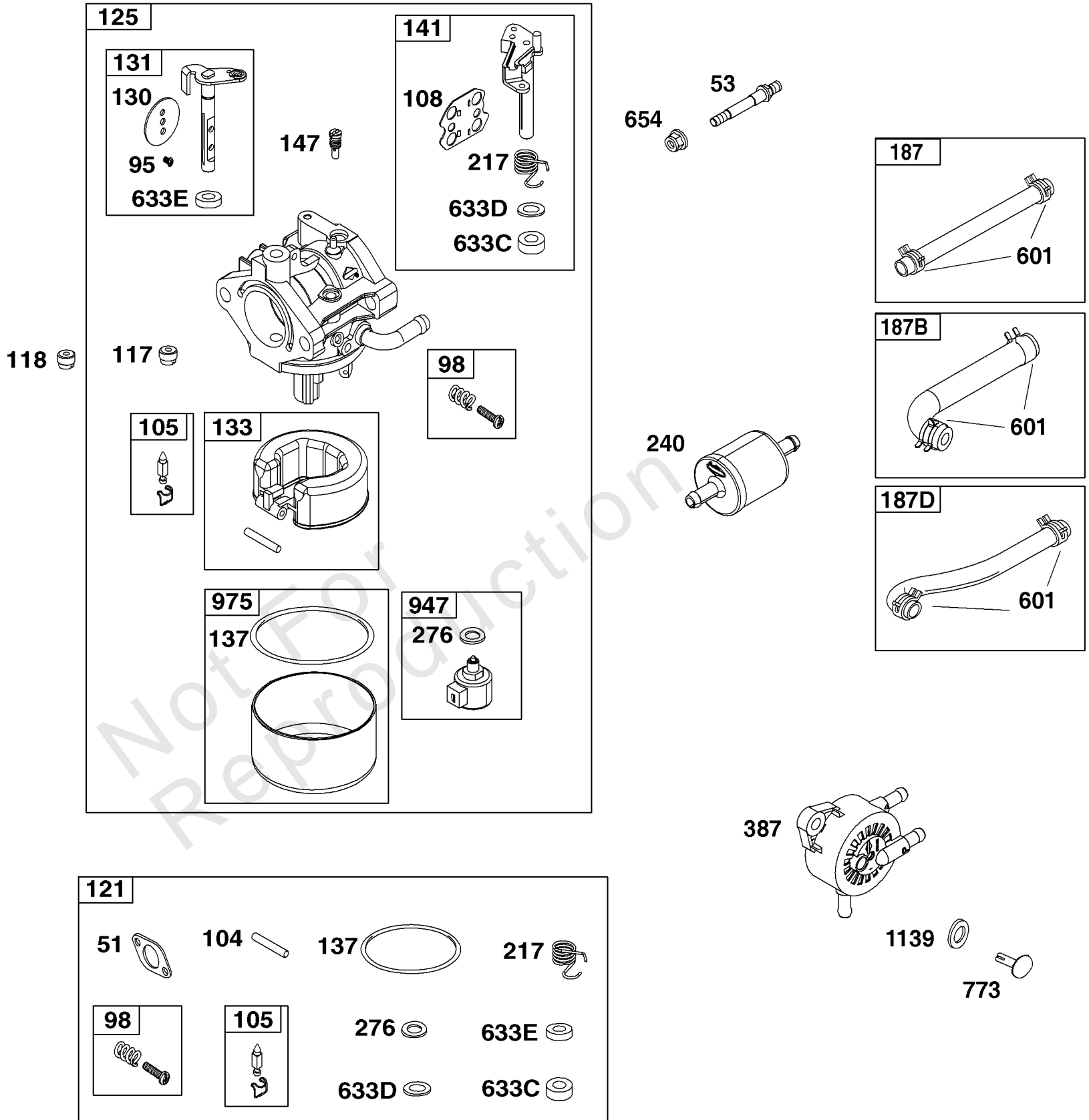


431



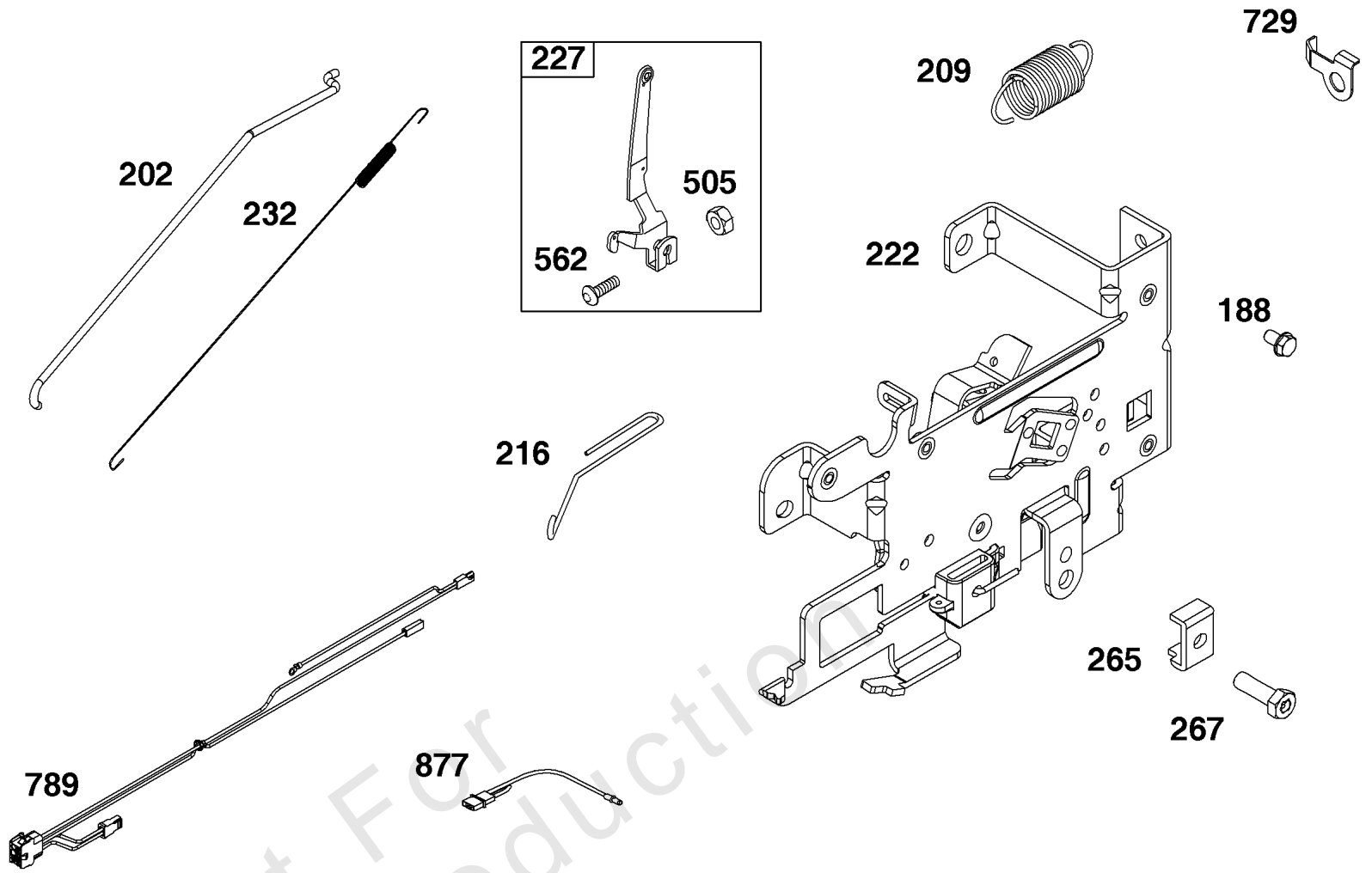
Blower Housing and Air Cleaner Group

REF NO	PART NO	QTY	DESCRIPTION
187B	-----	1	LINE, Fuel -(Part information located in Fuel Supply Group.)
187D	-----	1	LINE, Fuel -(Part information located in Fuel Supply Group.)
304	592814	1	HOUSING, Blower
305	596718	2	SCREW -(Blower Housing)
305B	795891	1	SCREW -(Blower Housing)
305C	799370	2	SCREW -(Blower Housing)
431	799043	1	MANIFOLD, Intake
445	793569	1	FILTER, A/C Cartridge
467	597244	1	KNOB, Air Cleaner Cover
601	-----	4	CLAMP, Hose -(Part information located in Fuel Supply Group.)
773	-----	2	RETAINER -(Part information located in Fuel Supply Group.)
964	799159	1	CAP, Connector
968	591648	1	COVER, Air Cleaner
1036	-----	1	LABEL, Emissions -(Available from a Briggs & Stratton Authorized Dealer)
1040	698368	1	PLATE, Trim
1139	-----	2	WASHER -(Part information located in Fuel Supply Group.)
1265	794151	1	SUPPORT, Blower Housing
1266	691917	1	SEAL, O-Ring -(Intake Elbow)
1279	690297	2	SCREW -(Regulator) (Blower Housing Support)
1319	794467	1	LABEL, Warning -(REQUIRED When Replacing Parts With Warning Labels Affixed)
1319A	797669	1	LABEL, Warning -(REQUIRED When Replacing Parts With Warning Labels Affixed)



Carburetor and Fuel Supply Group

REF NO	PART NO	QTY	DESCRIPTION
51	-----	1	GASKET, Intake -(Part information located in Cylinder Head Group.)
53	591260	2	STUD -(Carburetor)
95	593897	2	SCREW
98	847139	1	KIT, Idle Speed
104	594860	1	PIN, Float Hinge
105	594868	1	VALVE, Float Needle
108	594863	1	VALVE, Choke
117	594869	1	JET, Main
118	595068	1	JET, Main
121	594886	1	KIT, Carburetor Overhaul -(Service Kits may include extra parts not specific to this engine.)
125	594601	1	CARBURETOR
130	594858	1	VALVE, Throttle
131	594856	1	KIT, Throttle Shaft
133	594859	1	FLOAT, Carburetor
137	594861	1	GASKET, Float Bowl
141	594862	1	KIT, Choke Shaft
147	594874	1	JET, Pilot
187	791766	1	LINE, Fuel
187B	791805	1	LINE, Fuel
187D	791744	1	LINE, Fuel
217	594864	1	SPRING, Choke Return
240	84001895	1	FILTER, Fuel
276	846640	1	WASHER, Sealing
387	808656	1	PUMP, Fuel
601	791850	2	CLAMP, Hose
633C	594866	1	SEAL, Choke/Throttle Shaft
633D	594865	1	SEAL, Choke/Throttle Shaft
633E	797629	1	SEAL, Choke/Throttle Shaft
654	690958	2	NUT -(Carburetor)
773	796448	2	RETAINER
947	846639	1	SOLENOID, Fuel
975	594867	1	BOWL, Float
1139	796449	2	WASHER -(Fuel Pump Bracket)

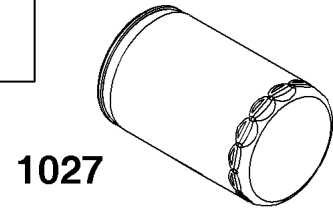
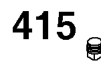
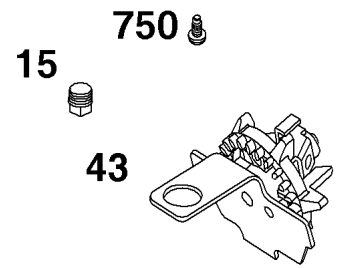
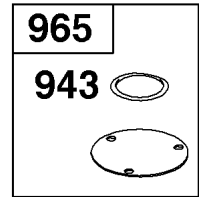
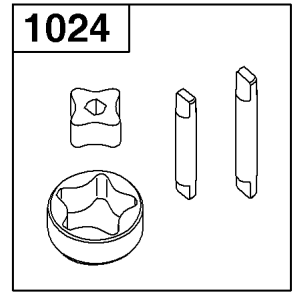
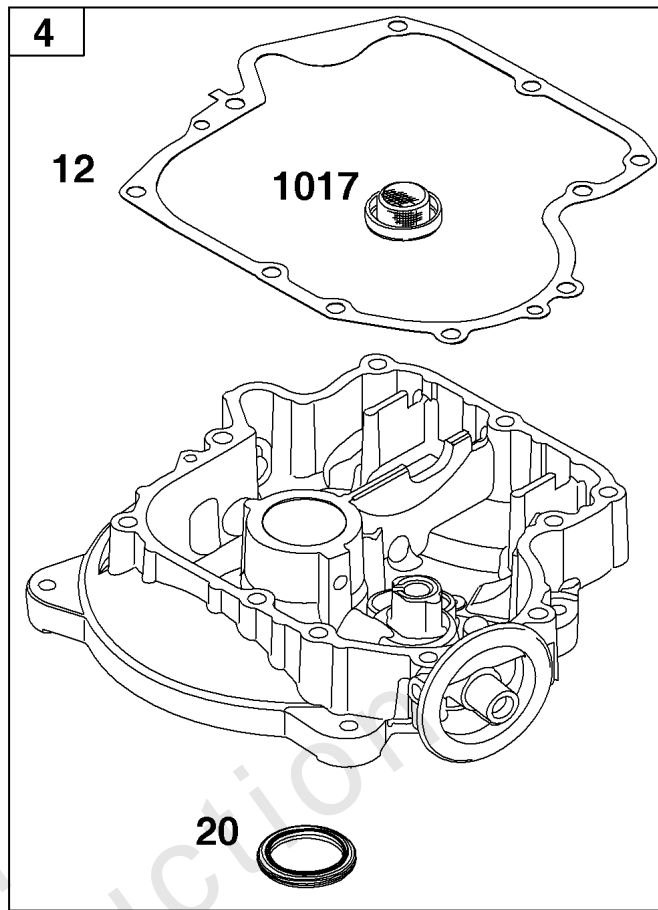
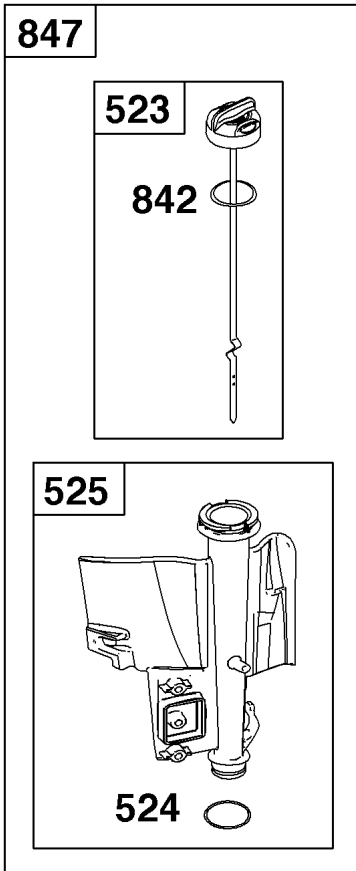


Not For
Reproduction

Controls Group

REF NO	PART NO	QTY	DESCRIPTION
188	691693	2	SCREW -(Control Bracket)
202	691841	1	LINK, Mechanical Governor
209	691278	1	SPRING, Governor
216	691840	1	LINK, Choke
222	597325	1	BRACKET, Control
227	691374	1	LEVER, Governor Control
232	691842	1	SPRING, Governor Link
265	691024	1	CLAMP, Casing
267	794904	1	SCREW -(Casing Clamp)
505	691251	1	NUT -(Governor Control Lever)
562	691119	1	BOLT -(Governor Control Lever)
729	691224	1	CLIP, Wire
789	698329	1	HARNESS, Wiring
877	790544	1	WIRE/CONNECTOR, Alternator

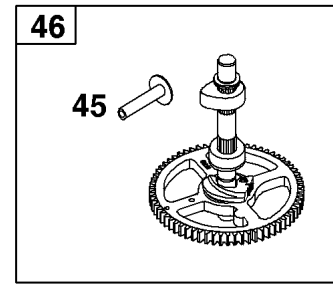
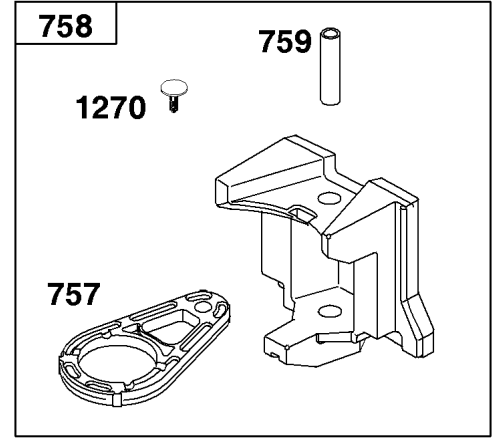
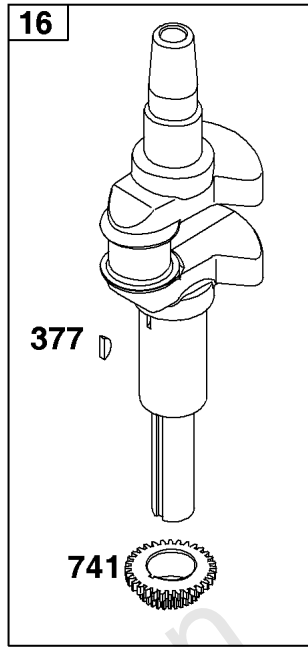
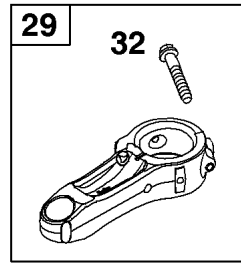
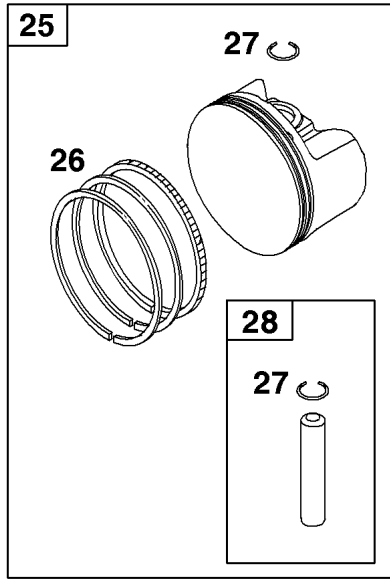
Not For
Reproduction



Not For
Reproduction

Crankcase Cover/Sump and Lubrication Group

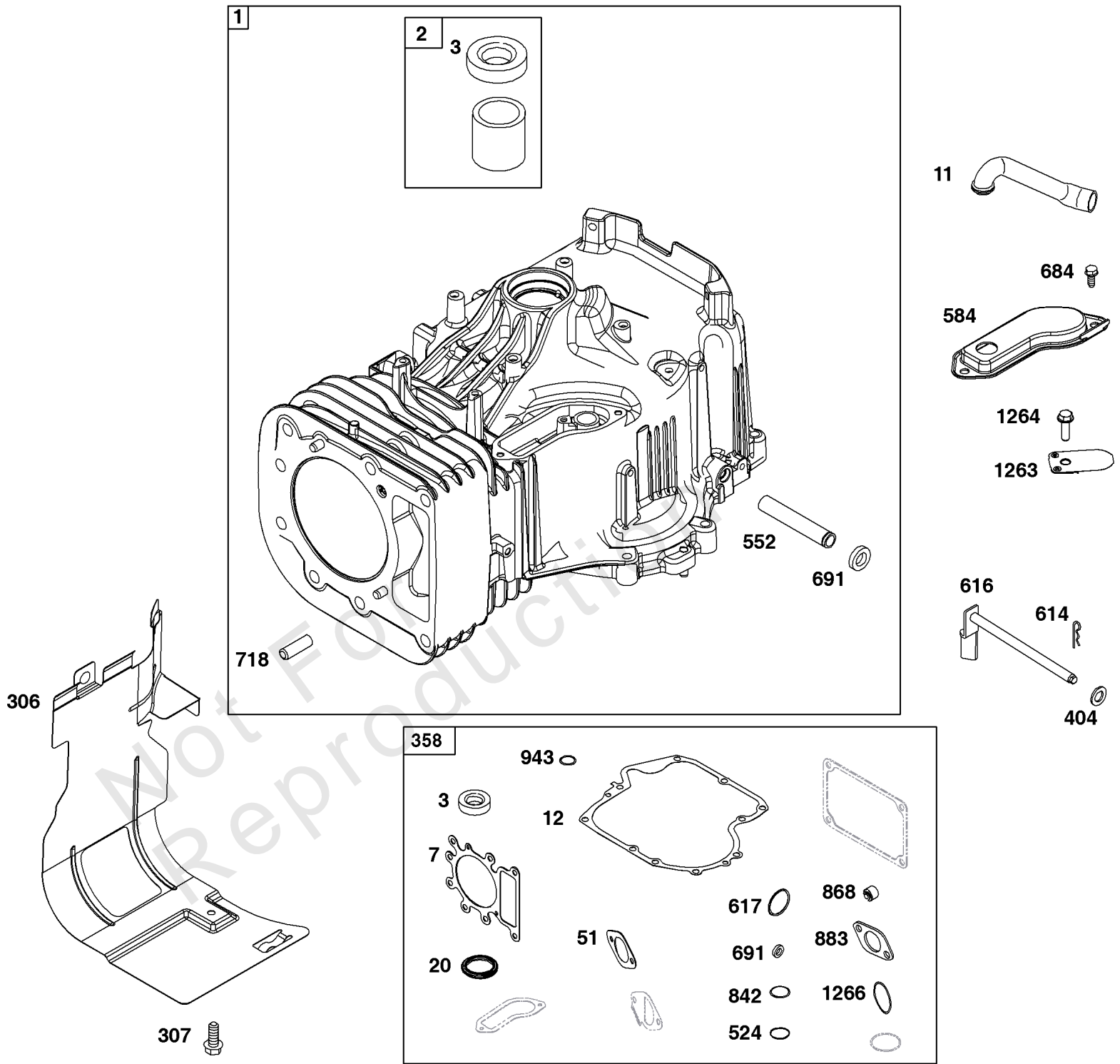
REF NO	PART NO	QTY	DESCRIPTION
4	592849	1	SUMP, Engine
12	697110	1	GASKET, Crankcase
15	690946	1	PLUG, Oil Drain
20	795387	1	SEAL, Oil -(PTO Side)
22	692125	10	SCREW -(Crankcase Cover/Sump)
43	691968	1	SLINGER, Governor/Oil
415	794903	1	PLUG
523	790443	1	DIPSTICK/TUBE ASSEMBLY
524	691032	1	SEAL, O-Ring -(Dipstick Tube)
525	697085	1	TUBE, Dipstick
750	790832	3	SCREW -(Oil Pump Cover)
842	691031	1	SEAL, O-Ring -(Dipstick Cap)
847	790443	1	DIPSTICK/TUBE ASSEMBLY
850	100106	1	SEALANT, Liquid
943	690589	1	SEAL, O-Ring -(Oil Pump Cover)
965	499613	1	COVER, Oil Pump
1017	796981	1	SCREEN, Oil Pump
1024	794644	1	SHAFT, Pump
1027	492932S	1	FILTER, Oil



Not For
Reproduction

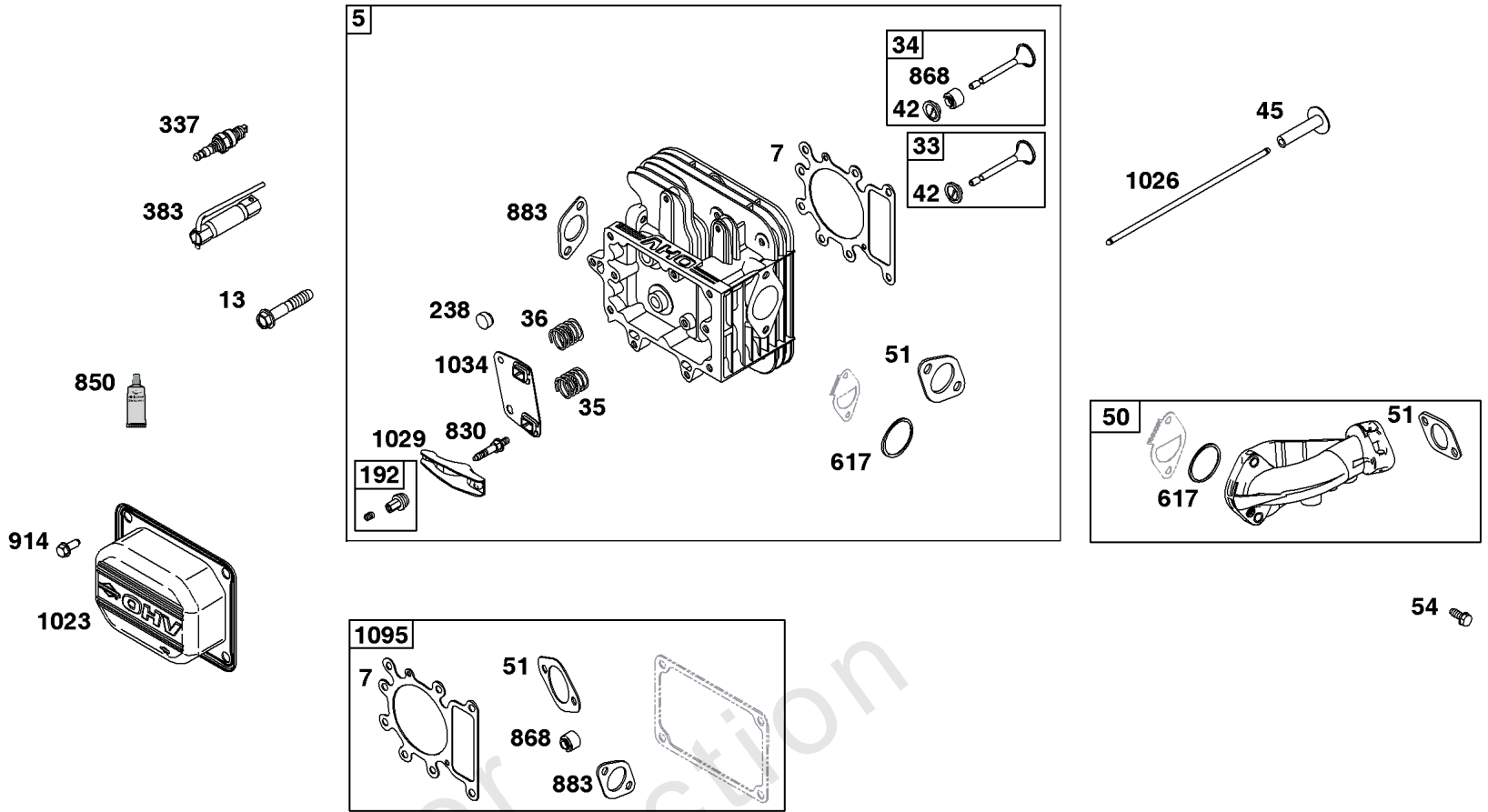
Crankshaft Group

REF NO	PART NO	QTY	DESCRIPTION
16	596007	1	CRANKSHAFT
24	591757	1	KEY, Flywheel
25	795858	1	PISTON ASSEMBLY -(Standard)
25	795877	1	PISTON ASSEMBLY -(.020 Oversize)
26	794126	1	SET, Ring -(Standard)
26	794127	1	SET, Ring -(.020 Oversize)
27	698469	1	LOCK, Piston Pin
28	594455	1	PIN, Piston
29	794571	1	ROD, Connecting
32	791118	2	SCREW -(Connecting Rod)
45	-----	2	TAPPET, Valve -(Part information located in Cylinder Head Group.)
46	793880	1	CAMSHAFT
377	691639	1	KEY, Woodruff
741	697128	1	GEAR, Timing
757	793242	2	LINK, Counterweight
758	793763	1	COUNTERWEIGHT
759	697392	2	PIN, Counterweight
1270	793243	1	PLUG, AVS Counterweight



Cylinder Group

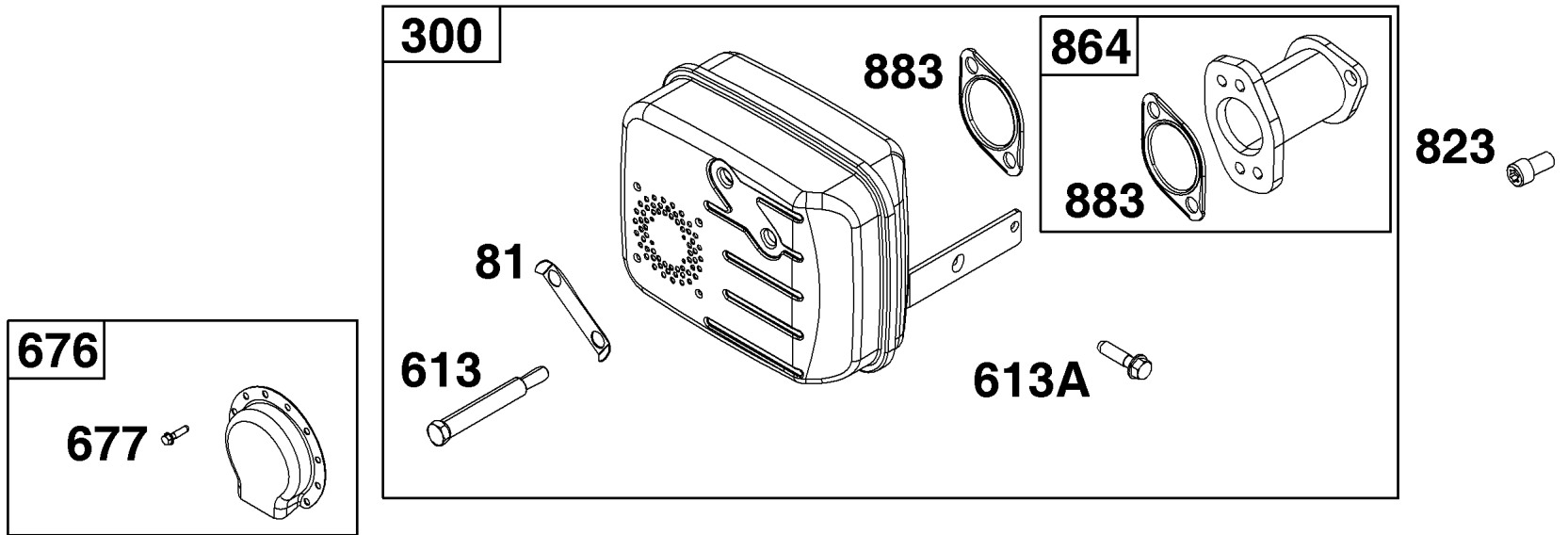
REF NO	PART NO	QTY	DESCRIPTION
1	591465	1	CYLINDER ASSEMBLY
2	797673	1	KIT, Bushing/Seal -(Magneto Side)
3	391086S	1	SEAL, Oil -(Magneto Side)
7	-----	1	GASKET, Cylinder Head -(Part information located in Cylinder Head Group.)
11	794683	1	TUBE, Breather
12	-----	1	GASKET, Crankcase -(Part information located in Crankcase Cover/Sump and Lubrication Group.)
20	-----	1	SEAL, Oil -(Part information located in Crankcase Cover/Sump and Lubrication Group.)
51	-----	1	GASKET, Intake -(Part information located in Cylinder Head Group.)
306	794953	1	SHIELD, Cylinder
307	691693	2	SCREW -(Cylinder Shield)
358	796187	1	GASKET SET, Engine -(Service Kits may include extra parts not specific to this engine.)
404	691691	2	WASHER -(Governor Crank)
524	-----	1	SEAL, O-Ring -(Part information located in Crankcase Cover/Sump and Lubrication Group.)
552	697144	1	BUSHING, Governor Crank
584	794682	1	COVER, Breather Passage
614	691620	1	PIN, Cotter
616	692012	1	CRANK, Governor
617	-----	1	SEAL, O-Ring -(Part information located in Cylinder Head Group.)
684	697157	2	SCREW -(Breather Passage Cover)
691	692407	1	SEAL, Governor Shaft
718	690959	2	PIN, Locating
842	-----	1	SEAL, O-Ring -(Part information located in Crankcase Cover/Sump and Lubrication Group.)
868	-----	1	SEAL, Valve -(Part information located in Cylinder Head Group.)
883	-----	2	GASKET, Exhaust -(Part information located in Exhaust Group.)
943	-----	1	SEAL, O-Ring -(Part information located in Crankcase Cover/Sump and Lubrication Group.)
1263	697124	1	REED, Breather
1264	697104	1	SCREW -(Breather Reed)
1266	-----	1	SEAL, O-Ring -(Part information located in Blower Housing and Air Cleaner Group.)



Not For
Reproduction

Cylinder Head Group

REF NO	PART NO	QTY	DESCRIPTION
5	591750	1	HEAD, Cylinder
7	794114	1	GASKET, Cylinder Head
13	592244	8	SCREW -(Cylinder Head)
33	591752	1	VALVE, Exhaust
34	591751	1	VALVE, Intake
35	691279	1	SPRING, Valve -(Intake)
36	691279	1	SPRING, Valve -(Exhaust)
42	499586	2	KEEPER, Valve
45	690564	2	TAPPET, Valve
50	592842	1	MANIFOLD, Intake
51	692137	1	GASKET, Intake
54	691148	2	SCREW -(Intake Manifold)
192	691986	2	ADJUSTER, Rocker Arm
238	691843	2	CAP, Valve
337	491055S	1	PLUG, Spark
383	19576S	1	WRENCH, Spark Plug
617	692138	1	SEAL, O-Ring -(Intake Manifold)
830	691095	2	STUD, Rocker Arm
850	-----	1	SEALANT, Liquid -(Part information located in Crankcase Cover/Sump and Lubrication Group.)
868	690968	1	SEAL, Valve
883	-----	2	GASKET, Exhaust -(Part information located in Exhaust Group.)
914	691108	4	SCREW -(Rocker Cover)
1023	797421	1	COVER, Rocker
1026	692003	1	ROD, Push -(Intake)
1026	692011	1	ROD, Push -(Exhaust)
1029	691751	2	ARM, Rocker
1034	690822	1	GUIDE, Push Rod
1095	794152	1	GASKET SET, Valve -(Service Kits may include extra parts not specific to this engine.)

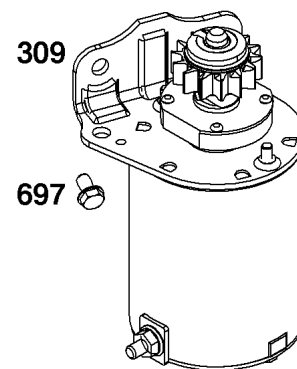
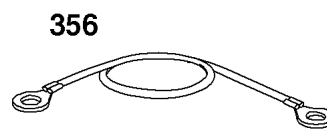
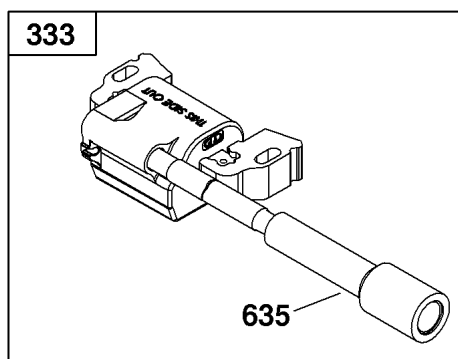
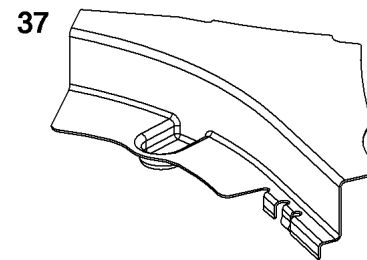
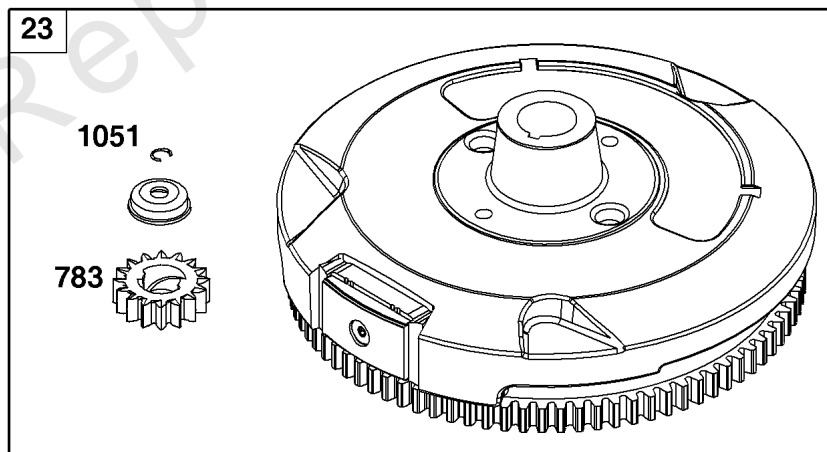
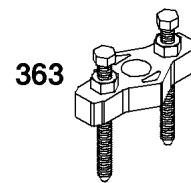
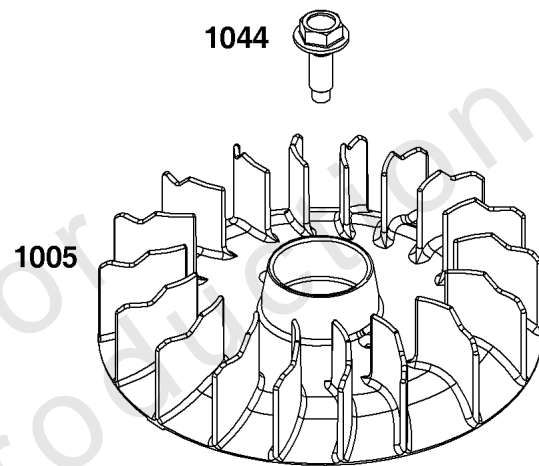
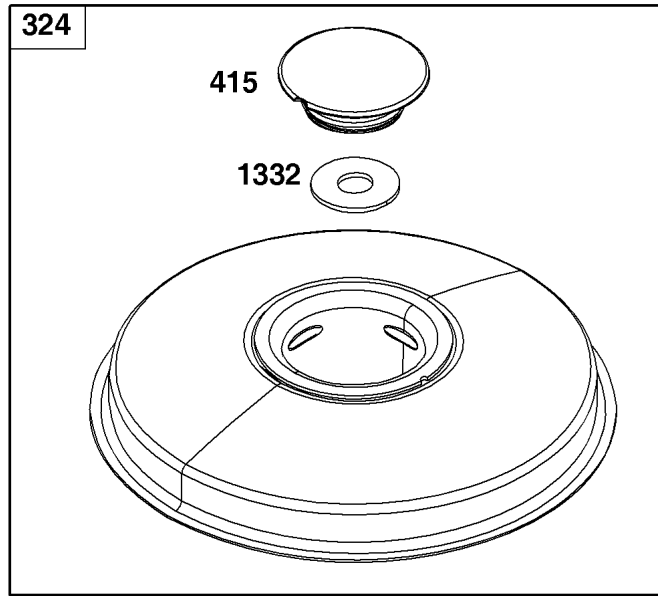


Not For
Reproduction

Exhaust Group

REF NO	PART NO	QTY	DESCRIPTION
81	691178	1	LOCK, Muffler Screw
300	795997	1	MUFFLER
613	691416	2	SCREW -(Muffler)
613A	690297	1	SCREW -(Regulator) (Muffler)
676	795036	1	DEFLECTOR, Muffler
677	690661	4	SCREW -(Muffler Deflector)
823	698941	2	SCREW -(Muffler Adapter)
864	796002	1	ADAPTER, Muffler
883	692236	2	GASKET, Exhaust

Not For
Reproduction



Flywheel, Ignition, and Starter Group

REF NO	PART NO	QTY	DESCRIPTION
23	591760	1	FLYWHEEL
37	699882	1	GUARD, Flywheel
78	691693	2	SCREW -(Flywheel Guard)
309	593934	1	MOTOR, Starter
324	796309	1	SCREEN/CUP ASSEMBLY
333	594626	1	ARMATURE, Magneto
334	691061	2	SCREW -(Magneto Armature)
356	697089	1	WIRE, Stop
363	19203	1	PULLER, Flywheel
415	794129	1	PLUG
635	594626	1	ARMATURE, Magneto
697	791680	2	SCREW -(Starter Motor) (Drive Cap)
783	593935	1	GEAR, Pinion
1005	796084	1	FAN, Flywheel
1044	698139	1	SCREW -(Flywheel)
1051	691265	1	RING, Retaining
1332	591991	1	WASHER -(Rotating Screen)

Not For
Reproduction

Replacement Engine

REF NO	PART NO	QTY	DESCRIPTION
	33S8770019G1		Replacement Engine
	592058	1	Replacement Short Block
	-----		Top No-Load Speed: 3600
	-----		Idle Speed: 1750

Not For
Reproduction

