

130200 to 130299

Illustrated Parts List

Model Series 130200 to 130299

TYPE NUMBERS
0010 through 0075
0101 through 1204
2015 through 2049

TO FIND

THE CORRECT NUMBER OF THE PART YOU NEED:

FOLLOW THE INSTRUCTIONS BELOW

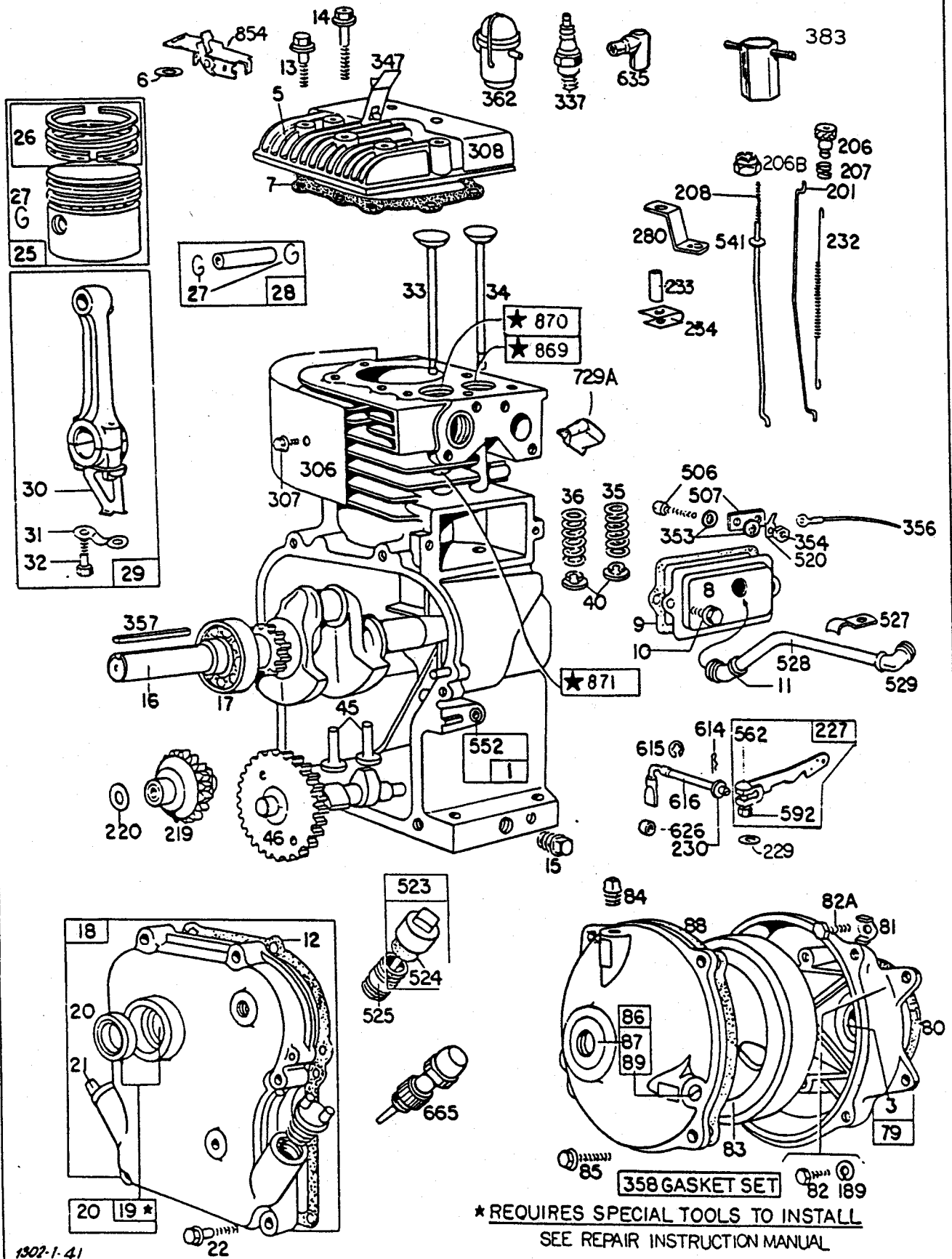
- A. Refer to Engine Model, Type and Code Number that is stamped on the blower housing of engine. Engine type numbers such as 012301 are listed herein only as 0123. The two digits (01 or 02, etc.) to the right of the space are not needed for parts identification. Then use the Illustrated Parts List covering the Model Series.
- B. Refer to Illustrated Parts section and compare the old part with illustration. The number on the illustration is the Reference Number. Assemblies include all parts shown in frames. All parts shown in assembly frames on which individual reference numbers are given can be purchased separately.
- C. After the Reference Number has been identified, refer to the Numerical Parts List, where Reference and Master Part Number are listed. **THE MASTER PART IS USED ON ALL TYPE NUMBERS EXCEPT THOSE TYPE NUMBERS UNDER "NOTE"**.
- D. If a "Note" appears below the Master Part Number, this means that this part differs from the Master Part for certain types. If the Type number is listed under "Note", order the part referred to.
- E. If the Engine Type Number does not appear after any part number listed under "Note", use the Master Part Number.
- F. For Type Numbers higher than those covered by this book, please refer to the factory if you are unable to identify the part by comparison.

PRINTED IN U.S.A.

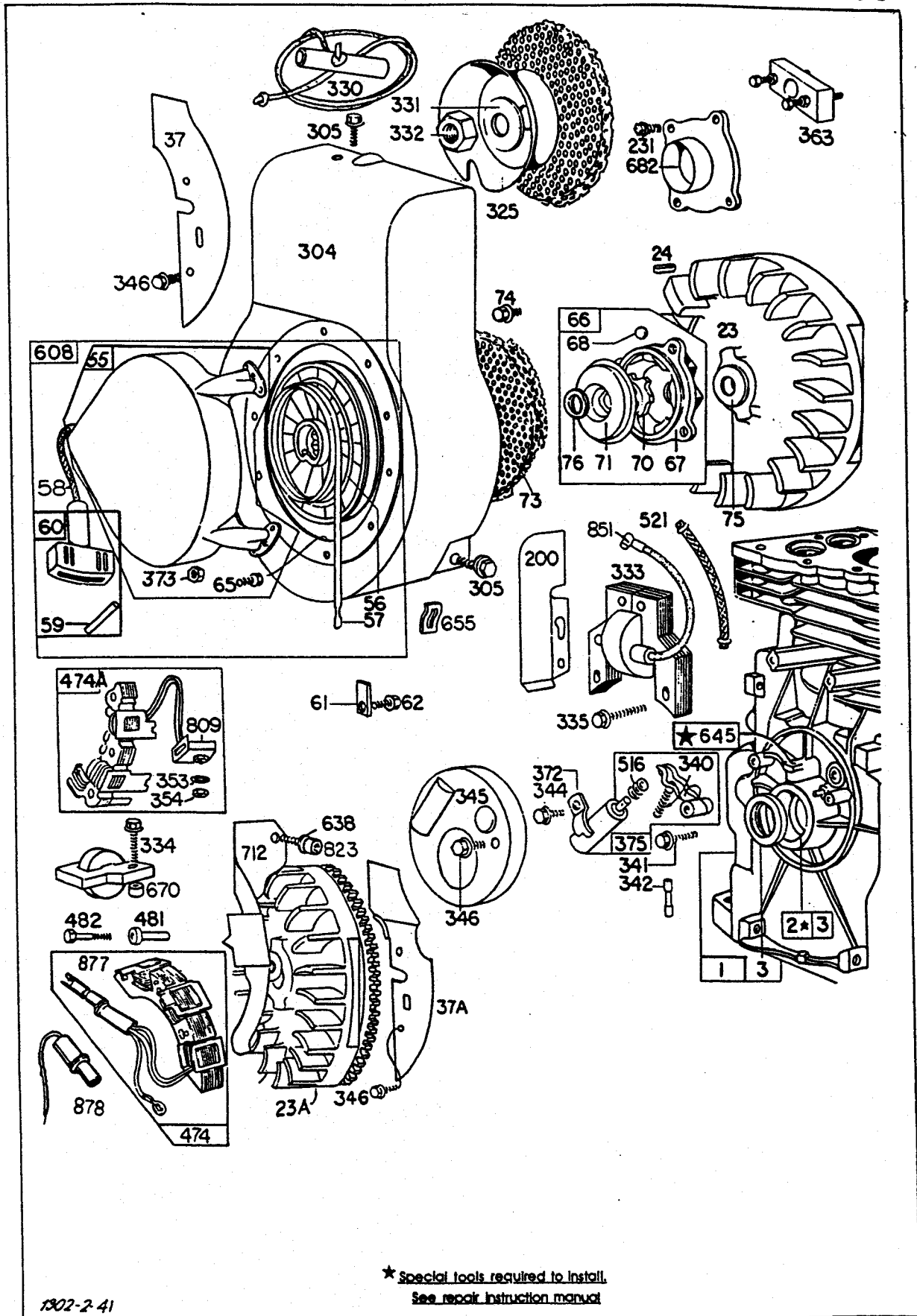


COPYRIGHT ©

130200 to 130299

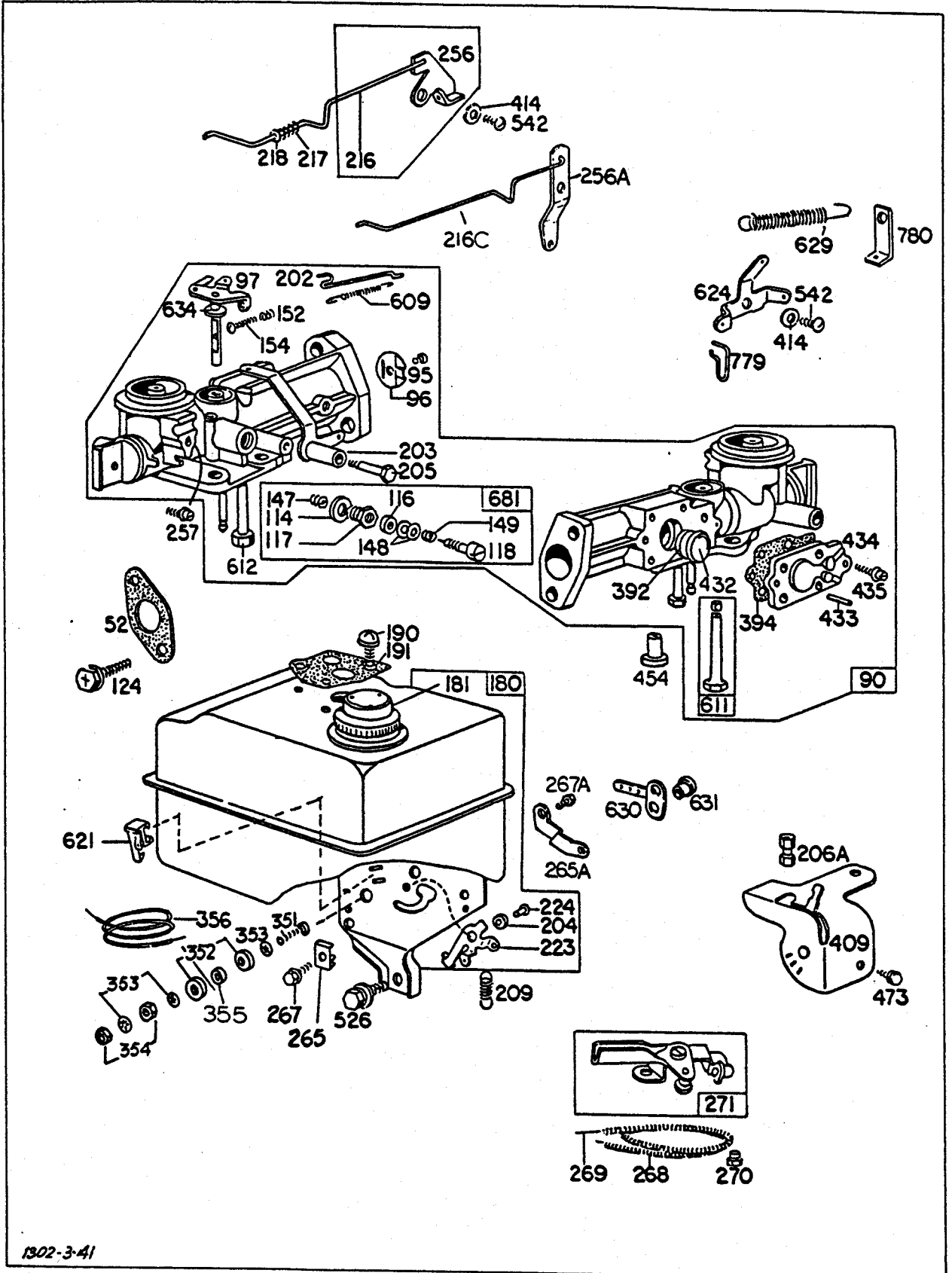


Assemblies include all parts shown in frames.



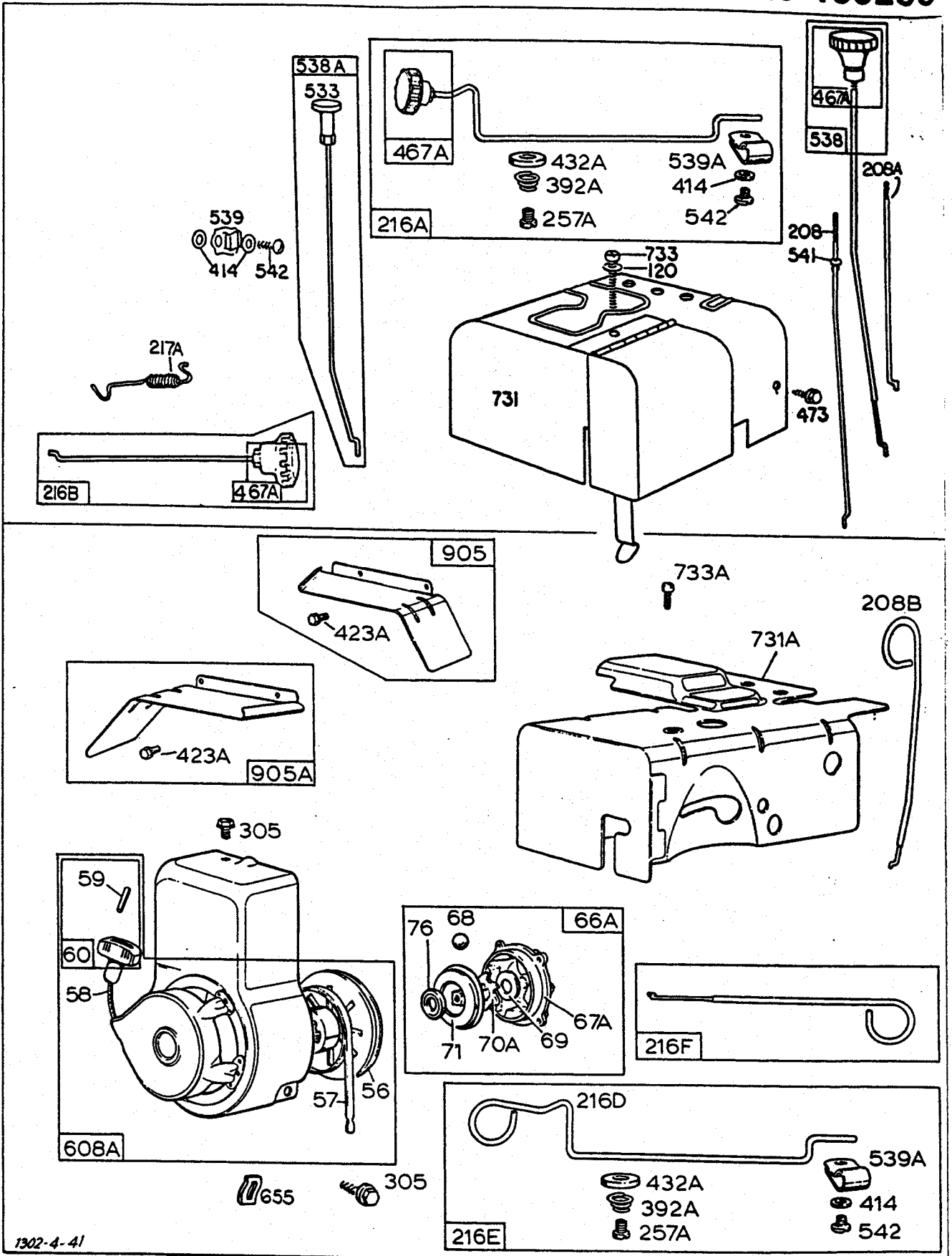
★ Special tools required to install.
See repair instruction manual

130200 to 130299



1302-3-41

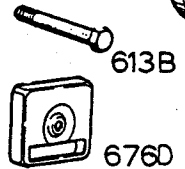
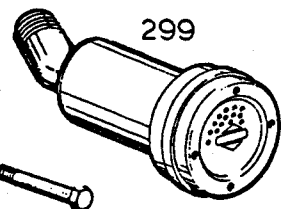
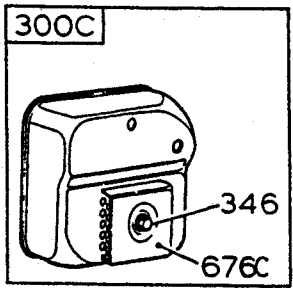
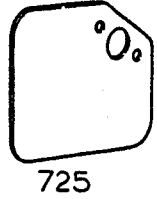
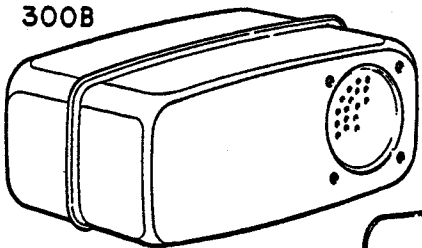
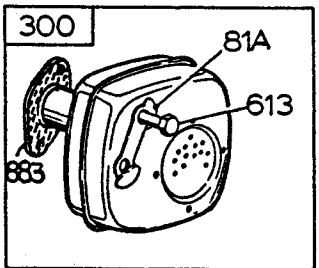
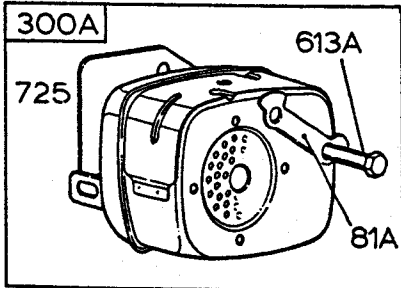
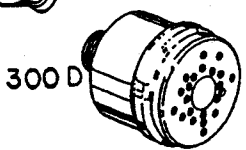
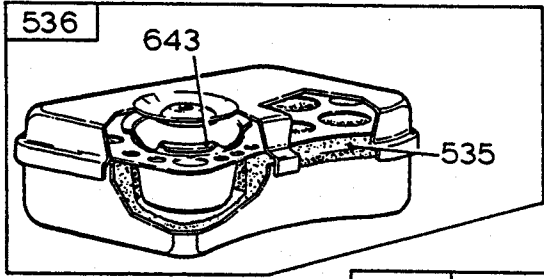
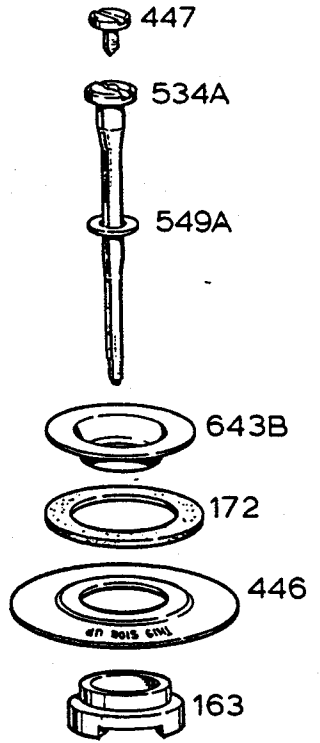
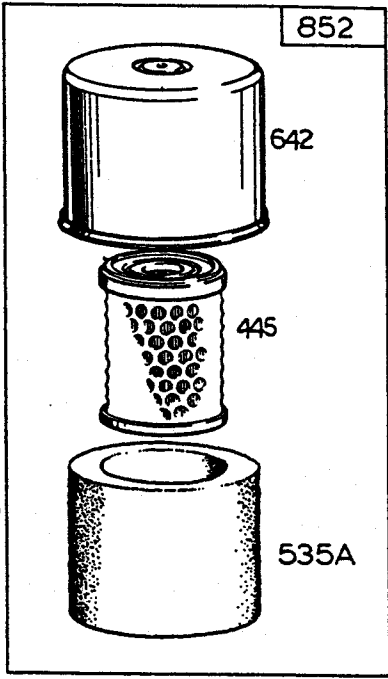
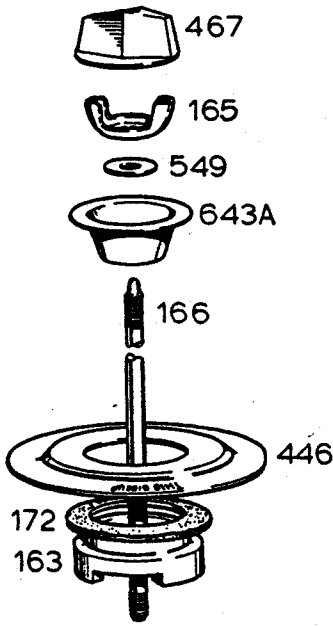
Assemblies include all parts shown in frames.



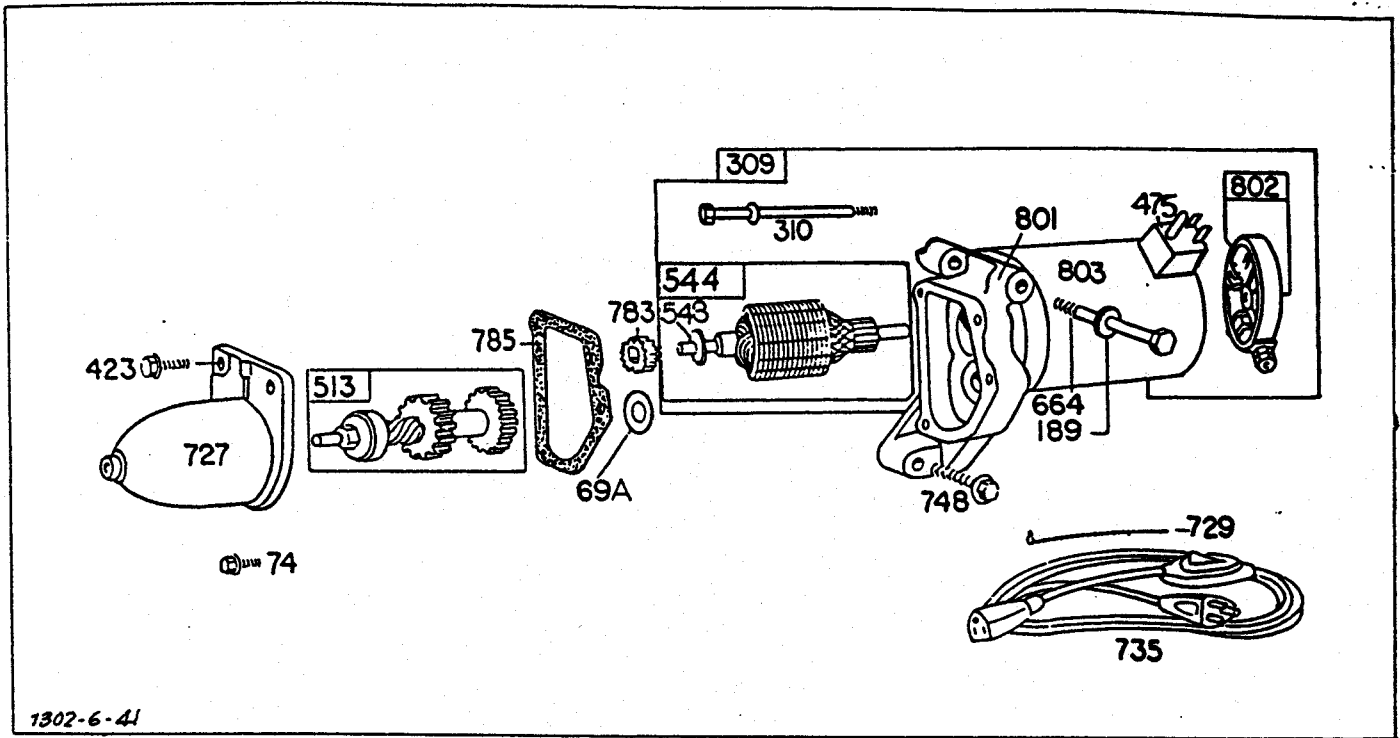
1302-4-41

Assemblies include all parts shown in frames.

130200 to 130299



Assemblies include all parts shown in frames.



Assemblies include all parts shown in frames.

Subject	Ref. No. 309	Ref. No. 513	Ref. No. 544	Ref. No. 803	Ref. No. 802	Ref. No. 475
Starter Motor Mfr.	Motor	Drive Assembly	Armature Assembly	Housing Assembly	End Cap Assy. Commutator	Rectifier Assembly
American Bosch						
12V	390551*	390581	390467	390468	390465	
110V	393842**					

*Uses #92813 Lockwasher and #231082 Hex Nut.

**Includes Entire Motor and Drive Assembly.

Parts Common to the 12V and 110V Motors

Ref. No. 423	Ref. No. 727	Ref. No. 785	Ref. No. 783	Ref. No. 69A	Ref. No. 310	Ref. No. 548	Ref. No. 664	Ref. No. 748	Ref. No. 801
Sem. Screw 93654	Drive Hsg. 390543	Gasket 270718	Pinion 230972	Washer 93676	Motor Bolt 93648	Washer 93649	Mtg. Screw 93358	Mtg. Screw 93534	Mounting Head 390544

130200 to 130299

REF. NO.	PART NO.	DESCRIPTION	REF. NO.	PART NO.	DESCRIPTION	REF. NO.	PART NO.	DESCRIPTION
1	391977	Cylinder Assembly			0592, 0598, 0660, 0670, 0676, 0694, 0725, 0733, 0764, 0765, 0776, 0782, 0802, 0862, 0872, 0873, 0964, 0966, 0970, 0971, 0972, 0973, 0980, 1023, 1045, 1046, 1047, 1051, 1061, 1062, 1063, 1077, 1089, 1094, 1098, 1101, 1137, 1138, 1140, 1175, 1198.			391608 Bracket—Mtg. Furnished by equip- ment manufacturer on Type No. 0600.
	Note:	391978 Cylinder Assy. Used on Type Nos. 0038, 0120, 0122, 0124, 0150, 0155, 0156, 0167, 0175, 0178, 0179, 0183, 0197, 0202, 0207, 0219, 0230, 0258, 0316, 0318, 0337, 0403, 0412, 0413, 0437, 0459, 0469, 0475, 0476, 0477, 0482, 0484, 0507, 0529, 0534, 0541, 0546, 0561, 0574, 0575, 0577, 0579, 0583, 0606, 0620, 0653, 0656, 0665, 0783, 0740, 0747, 0758, 0759, 0786, 0799, 0818, 0831, 0837, 0843, 0849, 0857, 0859, 0860, 0863, 0871, 0875, 0882, 0885, 0886, 0903, 0916, 0919, 0920, 0954, 0959, 0965, 0976, 0979, 0983, 0996, 1005, 1019, 1026, 1029, 1030, 1031, 1037, 1041, 1069, 1073, 1075, 1076, 1078, 1080, 1085, 1087, 1145, 1148, 1172, 1174, 1176, 2015, 2035, 2036, 2038, 2039, 2049.			391980 Cylinder Assy. Used on Type No. 0427.			93369 Screw—Cylinder Head (2-15/32" long) Note: 93583 Stud—Cyl. Head 22963 Washer Used on Type Nos. 0414, 0502, 0570, 0667, 0737, 0825, 0826, 0831, 0852, 0859, 0873, 0877, 0892, 0910, 0911, 0940, 0965, 0975, 1025, 1082, 0980, 0980, 1006, 1025, 1082, 1093, 1094, 1129, 1144, 1154, 1160, 1162, 1164, 1191, 1193, 1197, 1200.
		391979 Cylinder Assy. Used on Type Nos. 0025, 0119, 0121, 0123, 0345, 0351, 0352, 0353, 0358, 0361, 0373, 0388, 0391, 0392, 0400, 0402, 0406, 0409, 0411, 0417, 0418, 0419, 0424, 0425, 0436, 0438, 0450, 0483, 0490, 0493, 0496, 0511, 0520, 0539, 0540, 0554,	2	297565	Bushing—Cylinder Note: Requires special tools for installation.	14		
			3	299819	Seal—Oil			
			5	211542	Head—Cylinder			
			6	22963	Washer—Flat	15	91249	Plug—Pipe, 1/4" Std., Square Head Note: 93448 Plug—Pipe (Hex. Socket) Used on Type Nos. 0135, 0181, 0207, 0240, 0318, 0651, 0666, 0685, 0711, 0716, 0736, 0766, 0803, 0830, 0835, 0851, 0853, 0895, 0931, 0955, 0988, 1009, 1099, 1100, 1117.
			7	*270383	Gasket—Cylinder Head			
			8	294178	Breather—Valve Chamber			
			9	* 27549	Gasket—Valve Cover	16	260938	Crankshaft Note: 260939 Crankshaft Used on Type Nos. 0035, 0112, 0156, 0171, 0178, 0179, 0182, 0265, 0309, 0315, 0316, 0324, 0337, 0340, 0341, 0348, 0364, 0382, 0451, 0453, 0458, 0558, 0585, 0620, 0649, 0718, 0740, 0843, 0847, 0848, 0852, 0865, 0929, 0936, 0949, 0950, 0982, 1000, 1015, 1022, 1028, 1041, 1053, 1060, 1065, 1067, 1083, 1095, 1100, 1171, 1184, 1202, 1204, 2035
			10	93394	Screw—Breather Mtg. Sem			
			11	66578	Grommet—Breather Tube			
			12	*270080	Gasket—Crankcase— .015" thick (Standard)			
				*270125	Gasket—Crankcase— .005" thick			
				*270126	Gasket—Crankcase— .009" thick			
			13	93368	Screw—Cylinder Head (2-3/32" long) Note: 93583 Stud—Cyl. Head 22963 Washer Used on Type Nos. 0414, 0423, 0452, 0570, 0635, 0667, 0700, 0737, 0770, 0801, 0806, 0825, 0831, 0852, 0859, 0873, 0876, 0877, 0910, 0965, 0975, 1006, 1043, 1082, 1086, 1106, 1129, 1144, 1147, 1150, 1154, 1160, 1162, 1164, 1191, 1193, 1197, 1200.			

*Included in Gasket Set—
Part No. 297615.

REF. NO.	PART NO.	DESCRIPTION	REF. NO.	PART NO.	DESCRIPTION	REF. NO.	PART NO.	DESCRIPTION	
	260941	Crankshaft Used on Type Nos. 0037, 0114, 0174, 0176, 0180, 0213, 0217, 0332, 0399, 0472, 0479, 0590, 0608, 0630, 0754, 0817, 0828, 0837, 0854, 0856, 0888, 0924, 0967, 0977, 1039, 1096, 1151.		260958	Crankshaft Used on Type Nos. 0036, 0113, 0124, 0128, 0130, 0131, 0134, 0138, 0150, 0154, 0164, 0166, 0170, 0186, 0192, 0203, 0206, 0210, 0212, 0220, 0221, 0222, 0228, 0238, 0239, 0240, 0245, 0248, 0251, 0255, 0256, 0257, 0259, 0262, 0267, 0268, 0269, 0270, 0273, 0284, 0287, 0290, 0292, 0293, 0294, 0298, 0300, 0303, 0304, 0305, 0311, 0312, 0314, 0323, 0329, 0356, 0360, 0376, 0378, 0389, 0393, 0397, 0401, 0407, 0422, 0439, 0440, 0441, 0445, 0449, 0457, 0461, 0465, 0471, 0473, 0474, 0485, 0487, 0488, 0489, 0491, 0497, 0498, 0502, 0503, 0504, 0505, 0506, 0508, 0513, 0520, 0525, 0527, 0529, 0531, 0535, 0536, 0538, 0543, 0544, 0546, 0548, 0550, 0552, 0553, 0560, 0564, 0583, 0584, 0586, 0587, 0588, 0594, 0597, 0603, 0605, 0606, 0607, 0612, 0619, 0623, 0632, 0636, 0645, 0648, 0650, 0654, 0655, 0657, 0661, 0665, 0675, 0677, 0679, 0683, 0687, 0690, 0691, 0692, 0696, 0697, 0701, 0704, 0707, 0713, 0717, 0720, 0724, 0726, 0729, 0730.				0731, 0732, 0734, 0742, 0744, 0747, 0751, 0752, 0757, 0762, 0773, 0774, 0781, 0785, 0791, 0795, 0805, 0809, 0811, 0812, 0824, 0827, 0831, 0834, 0838, 0841, 0855, 0858, 0859, 0861, 0866, 0867, 0870, 0871, 0874, 0883, 0884, 0890, 0891, 0896, 0898, 0899, 0907, 0908, 0914, 0918, 0919, 0920, 0922, 0923, 0927, 0937, 0939, 0942, 0948, 0953, 0957, 0960, 0974, 0975, 0985, 0986, 0998, 1012, 1013, 1017, 1020, 1021, 1026, 1027, 1036, 1037, 1042, 1044, 1048, 1052, 1057, 1064, 1066, 1069, 1070, 1080, 1081, 1082, 1085, 1087, 1090, 1099, 1102, 1105, 1108, 1110, 1111, 1114, 1116, 1121, 1122, 1123, 1127, 1135, 1142, 1144, 1155, 1157, 1159, 1160, 1162, 1163, 1165, 1173, 1180, 1181, 1182, 1187, 1191, 1193, 1201, 2036.
	260942	Crankshaft Used on Type Nos. 0038, 0040, 0115, 0139, 0157, 0160, 0169, 0183, 0197, 0201, 0219, 0246, 0258, 0291, 0295, 0342, 0349, 0363, 0386, 0390, 0403, 0413, 0415, 0433, 0437, 0456, 0459, 0466, 0468, 0469, 0475, 0476, 0477, 0482, 0484, 0507, 0518, 0534, 0541, 0545, 0555, 0559, 0561, 0570, 0572, 0574, 0575, 0579, 0581, 0582, 0618, 0625, 0626, 0627, 0629, 0637, 0656, 0662, 0668, 0669, 0672, 0680, 0738, 0745, 0758, 0759, 0761, 0772, 0779, 0780, 0783, 0784, 0786, 0796, 0800, 0832, 0836, 0840, 0845, 0849, 0857, 0860, 0863, 0875, 0886, 0887, 0904, 0905, 0909, 0912, 0916, 0932, 0934, 0935, 0938, 0947, 0951, 0954, 0959, 0963, 0965, 0979, 0983, 0994, 0996, 0999, 1002, 1004, 1005, 1016, 1031, 1059, 1073, 1075, 1076, 1107, 1112, 1124, 1126, 1133, 1145, 1148, 1149, 1154, 1164, 1172, 1174, 1185, 1192, 1199, 2038.						260987 Crankshaft Used on Type Nos. 0024, 0049, 0116, 0120, 0181, 0193, 0202, 0214, 0227, 0322, 0325, 0327, 0350, 0355, 0412, 0416, 0420, 0431, 0443, 0462, 0481, 0514, 0519, 0551, 0562, 0563, 0566, 0567, 0568, 0573, 0578, 0599, 0602, 0624, 0634, 0639, 0644, 0653, 0658, 0664, 0710, 0712, 0719, 0746, 0749.	

130200 to 130299

REF. NO.	PART NO.	DESCRIPTION	REF. NO.	PART NO.	DESCRIPTION	REF. NO.	PART NO.	DESCRIPTION
	0755, 0756, 0775, 0797, 0799, 0879, 0880, 0882, 0885, 0889, 0894, 0901, 0903, 0906, 0944, 0946, 0952, 0955, 0961, 1008, 1019, 1029, 1030, 1040, 1068, 1079, 1119, 1125, 1136, 1156, 1158, 1161, 1168, 1188, 1194, 2049.							
	261046 Crankshaft Used on Type No. 0230.				261165 Crankshaft Used on Type No. 0358.			298204 Cover Assy.— Crankcase Used on Model Series 130231, 130232, 130233, 130235, 130236, 130237.
	261141 Crankshaft Used on Type Nos. 0361, 0388, 0554, 0663.				261216 Crankshaft Used on Type Nos. 0423, 0426, 0533, 0542, 0622, 0635, 0735, 0770, 0806, 0990, 1003, 1018, 1147.			298517 Cover Assy.— Crankcase Used on Model Series 130212, 130217, 130251, 130252, 130253, except as listed under note.
	261142 Crankshaft Used on Type Nos. 0025, 0119, 0121, 0123, 0345, 0353, 0373, 0391, 0392, 0400, 0402, 0409, 0411, 0417, 0418, 0419, 0425, 0436, 0450, 0490, 0493, 0511, 0539, 0540, 0592, 0593, 0641, 0660, 0670, 0694, 0725, 0733, 0776, 0782, 0802, 0862, 0873, 0964, 0966, 0970, 0971, 0972, 0973, 0976, 0980, 1023, 1046, 1051, 1061, 1062, 1063, 1077, 1089, 1094, 1098, 1101, 1137, 1138, 1140, 1175, 1198.				261227 Crankshaft Used on Type Nos. 0427, 0483, 0496.			Note: 392778 Cover Assy.— Crankcase Used on Type Nos. 0689, 0702, 0825, 0864, 0921, 0989, 1001, 1032, 1056, 1197.
	261147 Crankshaft Used on Type Nos. 0438, 0764.				261234 Crankshaft Used on Type Nos. 0039, 0499, 0577, 0596, 0628, 0674, 0684, 0771, 0839, 1054, 1058, 1078, 1084, 1132, 1152, 2039.			19 297603 Bushing—Crankcase Cover Note: Requires special tools for installation.
	261148 Crankshaft Used on Type Nos. 0338, 0347, 0368, 0369, 0379, 0384, 0815, 0902.				261299 Crankshaft Used on Type Nos. 0020, 0523, 0604, 0631, 0685, 0736, 0767, 0813, 0830, 1117.			20 294606 Seal—Oil Note: 393812 Seal—Oil Used on Model 130231, 130232, 130233, 130235, 130236, 130237 Series Engines.
	261150 Crankshaft Used on Type Nos. 0351, 0352, 0406, 0424, 0598, 0765, 0872, 1045, 1047.				261396 Crankshaft Used on Type No. 0676.			391484 Seal—Oil Used on the Auxiliary P.T.O. Shaft on Type Nos. 0070, 0071, 0117, 0125, 0126, 0141, 0159, 0208, 0224, 0234, 0249, 0301, 0359, 0369, 0371, 0430, 0447, 0448, 0455, 0524, 0530, 0540, 0611, 0613, 0614, 0617, 0646, 0647, 0651, 0678, 0706, 0709, 0711, 0722, 0723, 0728, 0737, 0766, 0776, 0778, 0782, 0789, 0792, 0793, 0794, 0803, 0873, 0895, 0917, 0941, 0972, 1009, 1025, 1050, 1055, 1061, 1062, 1092, 1131, 1139, 1140, 1196.
			17	99158	Bearing—Ball			
			18	297602	Cover Assy.— Crankcase Used on Model Series 130201, 130202, 130203, 130206, 130207.			
				298183	Cover Assy.— Crankcase Used on Model Series 130292, 130297.			

REF. NO.	PART NO.	DESCRIPTION	REF. NO.	PART NO.	DESCRIPTION	REF. NO.	PART NO.	DESCRIPTION
		298504 Oil Seal and Spacer Used on Type Nos. 0023, 0148, 0149, 0189, 0229, 0232, 0233, 0282, 0285, 0286, 0299, 0306, 0328, 0334, 0336, 0346, 0357, 0375, 0379, 0385, 0395, 0464, 0480, 0501, 0510, 0512, 0521, 0532, 0533, 0542, 0565, 0621, 0635, 0659, 0735, 0739, 0755, 0756, 0763, 0764, 0765, 0769, 0775, 0777, 0787, 0797, 0799, 0802, 0804, 0806, 0819, 0826, 0846, 0872, 0876, 0880, 0882, 0885, 0889, 0894, 0906, 0910, 0928, 0931, 0964, 0966, 0970, 0981, 0984, 0988, 0990, 0997, 1003, 1006, 1011, 1014, 1049, 1051, 1074, 1077, 1098, 1113, 1115, 1118, 1120, 1137, 1138, 1143, 1153, 1170, 1175, 1177, 1179, 1190, 1203, 2049. 392741 Oil Seal and Spacer Used on Type Nos. 0689, 0702, 0825, 0864, 0921, 0989, 1001, 1032, 1056, 1129, 1134, 1176, 1183, 1197.						
					0447, 0454, 0455, 0523, 0610, 0613, 0614, 0633, 0646, 0647, 0685, 0709, 0721, 0722, 0727, 0728, 0736, 0737, 0741, 0792, 0830, 0853, 0873, 0940, 1009, 1010, 1024, 1025, 1071, 1091, 1092, 1097, 1103, 1117.			
			23	297229	Flywheel—Magneto Note: 211424 Pulley—V-Belt Uses: 69248 Belt—Vee Used between Flywheel and Starter Clutch on Type No. 0147. 391081 Flywheel Used on Type Nos. 0373, 0391, 0392, 0400, 0450, 0483, 0496.			
			23A	390509	Flywheel Assy.			
			24	61760	Key—Flywheel			
			25	298904	Piston Assy.			
					Standard			
				298905	Piston Assy.—			
					.010" O.S.			
				298906	Piston Assy.—			
					.020" O.S.			
				298907	Piston Assy.—			
					.030" O.S.			
					PISTON RING SETS:			
					Note: For Chrome Piston Ring Set — Standard Size — Order Part No. 299742.			
			26	298982	Ring Set—Standard Piston			
				298983	Ring Set—.010" O.S. Piston			
				298984	Ring Set—.020" O.S. Piston			
				298985	Ring Set—.030" O.S. Piston			
21	66768	Plug—Oil Filler				29	299430	Rod Assy.—Connecting
22	93032	Screw—Crankcase Cover Mounting Sem						Note: For Connecting Rod with .020" undersize Crankpin Bore— Order No. 390459.
		Note: 93656 Stud				30	221890	Dipper—Connecting Rod
		90832 Lockwasher				31	221876	Lock—Conn. Rod Screw
		Used to mount Crankcase Cover on Type Nos. 0020, 0071, 0249, 0301, 0369, 0430, 0446,				32	92296	Screw—Connecting Rod
						33	211119	Valve—Exhaust
								Note: 260860 Valve—Exhaust Used on Type Nos. 0038, 0120, 0122, 0124, 0150, 0155, 0156, 0167, 0175, 0178, 0179, 0183, 0197, 0202, 0207, 0219, 0230, 0258, 0316, 0318, 0337, 0403, 0412, 0413, 0427, 0437, 0459, 0469, 0475, 0476, 0477, 0482, 0484, 0507, 0529, 0534, 0541, 0546, 0561, 0574, 0575, 0577, 0579, 0583, 0606, 0620, 0653, 0656, 0665, 0738, 0740, 0747, 0758, 0759, 0786, 0799, 0818, 0831, 0837, 0843, 0849, 0857, 0859, 0860, 0863, 0871, 0875, 0882, 0885, 0886, 0903, 0916, 0919, 0920, 0954, 0959, 0965, 0976, 0979, 0983, 0996, 1005, 1019, 1026, 1029, 1030, 1031, 1037, 1041, 1069, 1073, 1075, 1076, 1078, 1080, 1085, 1087, 1126, 1145, 1148, 1172, 1174, 1176, 2015, 2035, 2036, 2038, 2039, 2049.

130200 to 130299

REF. NO.	PART NO.	DESCRIPTION	REF. NO.	PART NO.	DESCRIPTION	REF. NO.	PART NO.	DESCRIPTION					
34	261044	Valve—Intake (Used after Serial No. 6908087)	37A	222578	Guard—Flywheel (Used on Engines with Electric Starters)			0224, 0234, 0249, 0301, 0359, 0369, 0371, 0430, 0447, 0448, 0455, 0524, 0530, 0540, 0611, 0613, 0614, 0617, 0646, 0647, 0651, 0678, 0706, 0709, 0711, 0722, 0723, 0728, 0737, 0766, 0776, 0778, 0782, 0789, 0792, 0793, 0794, 0803, 0873, 0895, 0917, 0941, 0961, 0972, 1009, 1025, 1050, 1055, 1061, 1062, 1092, 1131, 1139, 1140, 1186, 1196.					
	Note: 260961	Valve—Intake (Used before Code No. 6908117) Also on Type Nos. 0038, 0150, 0155, 0156, 0167, 0175, 0178, 0179, 0183, 0197, 0202, 0207, 0219, 0230, 0258.	40	93312	Retainer—Valve Spring Note: 292259 Rotocap—Exhaust Valve 230126 Pin—Exhaust Valve Rotocap Retainer 230127 Retainer—Exhaust Valve Rotocap Used on Type Nos. 0038, 0120, 0122, 0124, 0150, 0155, 0156, 0167, 0175, 0178, 0179, 0183, 0197, 0202, 0207, 0219, 0230, 0258, 0316, 0318, 0337, 0403, 0412, 0413, 0427, 0437, 0459, 0469, 0475, 0476, 0477, 0482, 0484, 0507, 0529, 0534, 0541, 0546, 0561, 0574, 0575, 0577, 0579, 0583, 0606, 0620, 0653, 0656, 0665, 0738, 0740, 0747, 0758, 0759, 0786, 0799, 0818, 0831, 0837, 0843, 0849, 0857, 0859, 0860, 0863, 0871, 0875, 0882, 0885, 0886, 0903, 0916, 0919, 0920, 0954, 0959, 0965, 0976, 0979, 0983, 0996, 1005, 1019, 1026, 1029, 1030, 1031, 1037, 1041, 1069, 1073, 1075, 1076, 1078, 1080, 1085, 1087, 1145, 1148, 1172, 1174, 1176, 2015, 2035, 2036, 2038, 2039, 2049.								
35	260552	Spring—Intake Valve				52	* 27355	Gasket—Carburetor Mounting (2)					
36	26478	Spring—Exhaust Valve Note: 26826 Spring—Exhaust Valve Used on Type Nos. 0038, 0120, 0122, 0124, 0150, 0155, 0156, 0167, 0175, 0178, 0179, 0183, 0197, 0202, 0207, 0219, 0230, 0258, 0316, 0318, 0337, 0403, 0412, 0413, 0427, 0437, 0459, 0469, 0475, 0476, 0477, 0482, 0484, 0507, 0529, 0534, 0541, 0546, 0561, 0574, 0575, 0577, 0579, 0583, 0606, 0620, 0653, 0656, 0665, 0738, 0740, 0747, 0758, 0759, 0786, 0799, 0818, 0831, 0837, 0843, 0849, 0857, 0859, 0860, 0863, 0871, 0875, 0882, 0885, 0886, 0903, 0916, 0919, 0920, 0954, 0959, 0965, 0976, 0979, 0983, 0996, 1005, 1019, 1026, 1029, 1030, 1031, 1037, 1041, 1069, 1073, 1075, 1076, 1078, 1080, 1085, 1087, 1126, 1145, 1148, 1172, 1174, 1176, 2015, 2035, 2036, 2038, 2039, 2049.						55	299431	Housing—Rewind Starter Note: 297663 Housing—Rewind Starter Used on Type No. 0147.			
			45	260642	Tappet—Valve						56	295871	Pulley—Rewind Starter (Includes 63" long rope) If longer rope is required, order rope No. 66894 and cut to length. Note: 280117 Pulley—Rewind Starter Used on Type Nos. 0257, 0293, 0294, 0296, 0303, 0367, 1045, 1046, 1047, 1051, 1061, 1062, 1089, 1094.
			46	211117	Gear—Cam Note: 211284 Gear—Cam Used on Type Nos. 0070, 0071, 0117, 0122, 0125, 0126, 0141, 0159, 0208.						57	294303	Spring—Rewind Starter
37	222443	Guard—Flywheel				58	66884	Rope—Rewind Starter—63" long (For use with Plastic Pulley) If longer rope is required, order rope No. 66894 and cut to length.					

*Included in Gasket Set—
Part No. 297615.

REF. NO.	PART NO.	DESCRIPTION	REF. NO.	PART NO.	DESCRIPTION	REF. NO.	PART NO.	DESCRIPTION
	66564	Rope—Rewind Starter— 63" long. (For use with Metal Pulley) If longer rope is re- quired, order rope No. 66574 and cut to length. 66694 Rope—Rewind Starter Used on Type Nos. 0257, 1045, 1046, 1047, 1051, 1061, 1062, 1089, 1094.	66	298310	Clutch Assy.—Rewind Starter Note: 298798 Clutch Assy.— Rewind Starter Uses: 212132 Housing— Starter Clutch 298799 Ratchet— Rewind Starter 66718 Washer—Thrust Used on Type Nos. 0017, 0018, 0101, 0129, 0130, 0147, 0173, 0181, 0185, 0195, 0196, 0205, 0208, 0221, 0227, 0229, 0233, 0237, 0238, 0239, 0245, 0255, 0259, 0276, 0277, 0283, 0285, 0290, 0298, 0299, 0304, 0307, 0319, 0324, 0333, 0345, 0350, 0351, 0352, 0353, 0355, 0357, 0359, 0389, 0404, 0406, 0409, 0414, 0418, 0419, 0420, 0422, 0424, 0425, 0431, 0438, 0471, 0490, 0501, 0540, 0592, 0598, 0599, 0640, 0641, 0667, 0670, 0676, 0681, 0694, 0737, 0764, 0765, 0776, 0822, 0844, 0862, 0872, 0873, 0877, 0892, 0910, 0964, 0966, 0970, 0972, 0973, 0980, 1006, 1011, 1055, 1088. 211424 Pulley—V-Belt 68428 V-Belt Used between Clutch and Flywheel on Type No. 0147.	67	212131	Housing—Starter Clutch Note: For Specials see Ref. 66.
59	230228	Pin—Starter Grip				67A	261453	Housing—Rewind Starter Clutch For engines with Ring Gear on Flywheel equipped for or with Electric Motor.
60	393152	Grip—Starter Rope				68	63770	Ball—Clutch
61	68848	Bumper—Starter Pulley Note: 68618 Bumper—Starter Pulley Used only with Steel Pulley on Type Nos. 0257, 0293, 0294, 0296, 0303, 0367.				69	66718	Washer—Starter Clutch, Thrust
62	93254	Screw—Pulley Bumper Mounting				70	298436	Ratchet—Rewind Starter Note: For other Specials see Ref. 66. 298799 Ratchet— Rewind Starter 66718 Washer—Thrust 230813 Adapter— Ratchet Spring 260414 Spring—Ratche Used between Ratchet and Starter Housing. Used on Type No. 0147.
65	93067	Screw—Stamped Steel Housing Mtg. Sem Note: 93572 Screw Cast— Rewind Starter Housing Mounting (Used after Code No. 6909127) 93163 Screw—Rewind Starter Housing Mtg. Sem (Used before Code No. 6909157) 93414 Screw—Rewind Starter Housing Mtg. Sem (4) 92290 Washer—Lock (4) 222060 Spacer (4) Mounted to Blower Housing using 93042 Screw—Sem (8) Used on Type No. 0147.				70A	298799	Ratchet—Rewind Starter Clutch For engines with Ring Gear on Flywheel equipped for or with Electric Motor.
			66A	393117	Clutch Assy.—Rewind Starter For Engines with Ring Gear on Flywheel equipped for or with Electric Motor.	71	221653	Washer—Clutch Retainer Note: 93042 Screw—Sem (4) Used to secure Washer to Clutch Housing on Type No. 0147. 222277 Cover—Hsg. Uses: 93808 Screw (2) to mount Cover to Hsg. Used on Type No. 0358.

REF. NO.	PART NO.	DESCRIPTION	REF. NO.	PART NO.	DESCRIPTION	REF. NO.	PART NO.	DESCRIPTION
148	22235	Washer—Needle Valve (2)	181	392304	Cap—Fuel Tank			392300 Cap—Fuel Tank
149	26336	Spring—Needle Valve		Note:	293270 Cap—Fuel Tank			Used on Type Nos.
152	260575	Spring—Throttle Adjustment			Used on Type Nos.			0373, 0693.
154	93527	Screw—Machine, Rd. Hd.—5-40 x 5/8"			0017, 0129, 0237,			394818 Cap—
163	27660	Gasket—Air Cleaner Mounting			0276, 0350, 0351,			Fuel Tank
163A	270488	Gasket—Air Cleaner Mounting			0352, 0353, 0357,			Used on Type Nos.
165	93856	Wing Nut			0359, 0380, 0406,	189	90366	0739, 0804.
166	231176	Stud—Air Cleaner			0414, 0424, 0425,			Washer—Lock
172	271077	Gasket—Air Cleaner			0431, 0438, 0444,	190	93440	5/16 x 1/8 x 1/16
180	297600	Tank Assembly—Fuel			0450, 0490, 0495,			Screw—Fuel Tank
	Note:	390160 Tank Assy.—			0540, 0592, 0598,	191	*27911	Mounting Sem
		Fuel			0599, 0667, 0670,			Gasket—Fuel Tank
		Used on Type Nos.			0676, 0681, 0764,	200	221480	Mounting (2)
		0235, 0245, 0259,			0765, 0776, 0862,	201	261558	Guide—Air
		0266, 0267, 0269,			0872, 0892, 0964,			Link—Governor
		0276, 0278, 0282,			0966, 0970, 0972,			(Used after Code No.
		0284, 0285, 0286,			0973, 0980.			80052900)
		0287, 0288, 0289,			297863 Cap—Fuel Tank			Note: 260661 Link—Governor
		0293, 0294, 0296,			Used on Type Nos.			(Used before Code No.
		0297, 0299, 0303,			0017, 0018, 0101,			80053000)
		0304, 0305, 0306,			0129, 0130, 0181,	202	260678	Link—Throttle
		0307, 0308, 0326,			0185, 0195, 0196,	203	393919	Crank—Bell
		0333, 0344, 0347,			0205, 0208, 0221,			Note: 297718 Crank—Bell
		0381, 0385, 0392,			0227, 0229, 0233,			(Used before Code
		0470, 0478, 0693,			0237, 0239, 0243,	204	222962	No. 79010500)
		0714, 0724, 0787,			0255, 0266, 0277,			Bushing—Governor
		0884, 0931, 0984,			0283, 0286, 0288,			Lever (Flat)
		0987, 1007, 1009,			0290, 0293, 0294,			Note: For Specials see
		1010, 1074, 1113,			0296, 0298, 0299,			Ref. 223.
		1142, 1179.			0303, 0304, 0305,	205	93838	Screw—Shoulder
		391422 Tank Assy.—			0306, 0307, 0308,	206	230149	Nut—Control Rod
		Fuel			0310, 0319, 0324,			Note: 21772 Nut—Control
		Used on Type Nos.			0343, 0345, 0350,			Rod
		0453, 0463, 0567,			0351, 0352, 0353,			Used on Type Nos.
		0804.			0354, 0355, 0357,			0241, 0254, 0263,
		392380 Tank Assy.—			0359, 0376, 0389,			0370, 0788.
		Fuel			0391, 0400, 0406,	206A	280012	Nut—Control Rod
		Used on Type Nos.			0409, 0414, 0418,	206B	93422	Stopnut—Hexagon
		0633, 0685, 0709,			0419, 0420, 0422,	207	26855	Spring—Control Rod
		0736, 1117.			0424, 0425, 0431,	208	230737	Rod—Control
		395548 Tank Assy.—			0438, 0471, 0490,			Note: 230946 Rod—Control
		Fuel (1 Quart)			0492, 0501, 0540,			Used on Type Nos.
		Uses:			0598, 0599, 0600,			0075, 0199, 0200,
		395556 Bracket—			0605, 0645, 0667,			0209, 0318, 0331,
		Control			0670, 0676, 0681,			0334, 0346, 0375,
		93105 Screw (Tank			0694, 0737, 0873,			0376, 0379, 0387,
		to Bracket)			0877, 0992, 1045,			0395, 0401, 0404,
		Used on Type No.			1046, 1047, 1051,			0412, 0473, 0508,
		1181.			1055, 1061, 1062,			0510, 0522, 0531,
					1063, 1077, 1088,			0533, 0535, 0542,
					1089, 1093, 1094,			0556, 0588, 0605,
					1098, 1101, 1135,			0645, 0659, 0726,
					1137, 1138, 1159,			0735, 0757, 0773.
					1175, 1195.			

*Included in Gasket Set—
Part No. 297615.

130200 to 130299

REF. NO.	PART NO.	DESCRIPTION	REF. NO.	PART NO.	DESCRIPTION	REF. NO.	PART NO.	DESCRIPTION
		0846, 0848, 0876, 0930, 0953, 0955, 1013, 1070, 1106, 1122, 1155, 1188. 261297 Rod—Control Used on Type Nos. 0521, 0528, 0530, 0679, 0818, 0838, 0923, 0937, 0941, 0946, 0956, 0961, 1036, 1048, 1049, 1050, 1181.			90597 Screw—Mach., Rd. Hd.—10-32 x 1/2" and 260847 Spring Washer on Type Nos. 0017, 0018, 0130, 1048, 0154, 0158, 0174, 0181, 0184, 0185, 0194, 0196, 0221, 0230, 0233, 0237, 0239, 0247, 0255, 0277, 0281, 0298, 0316, 0324, 0325, 0327, 0336, 0337, 0340, 0350, 0351, 0352, 0353, 0359, 0364, 0406, 0414, 0416, 0418, 0419, 0422, 0425, 0431, 0435, 0438, 0439, 0451, 0458, 0471, 0480, 0481, 0485, 0514, 0520, 0540, 0568, 0573, 0592, 0607, 0608, 0620, 0635, 0636, 0640, 0641, 0649, 0660, 0667, 0681, 0691, 0718, 0731, 0751, 0752, 0776, 0795, 0827, 0855, 0859, 0861, 0862, 0872, 0881, 0914, 0950, 0969, 0978, 0981, 1000, 1012, 1014, 1022, 1024, 1025, 1034, 1041, 1055, 1058, 1062, 1083, 1088, 1089, 1096, 1119, 1127, 1132, 1137, 1138, 1157, 1166, 1170, 1202.	227	393920	Lever Assy.—Governor Note: 297601 Lever Assy.— Gov.—For 3/16" Dia. Crank (Used before Code No. 75060607)
208A	392172	Rod—Control				229	220680	Washer—Governor Lever (Used before Code No. 75120900)
208B	261593	Rod—Control				230	222450	Washer—Governor Lever (1/4" I.D.)
209	260695	Spring—Governor Note: 260902 Spring—Gov. Used on Type Nos. 0721, 0722, 0743, 0777, 1159. 261130 Spring—Gov. Used on Type No. 0983, 1126.					221559	Washer—Governor Lever (3/16" I.D.)
216	299859	Link—Choke (Includes Bell Crank)				231	93064	Screw—Sem
216A	391899	Rod—Choke				232	260478	Spring—Governor Link
216B	392405	Rod—Control				233	230253	Stop—Control Rod
216C	231093	Link—Choke				234	220730	Clip—Control Rod
216D	261592	Rod—Choke				256	299859	Crank—Bell (Includes Choke Link)
216E	394562	Hand Choke Assy.				256A	222582	Lever—Choke
216F	261591	Rod—Choke				257	93543	Screw—Fil. Hd. Sem
217	260189	Spring—Choke Link				257A	90746	Screw—Fil. Hd. Sem
217A	261331	Spring—Control Rod				265	221535	Clamp—Casing
218	221198	Washer—Choke Link				265A	222629	Bracket—Cable Clamp
219	391737	Gear—Governor (Used after Code No. 75060507) Note: 297656 Gear—Gov. (Used before Code No. 75060607)				267	93496	Screw—Sem Note: 93686 Screw—Self Tapping Used on Type Nos. 0633, 0685, 0709, 0736, 0830, 1117.
220	221551	Washer—Thrust				267A	93543	Screw—Sem
223	221517	Lever—Governor Control Note: 230943 Bushing— Governor Lever (with 1/2" dia. Flange) Used with 93440 Screw—Sem and 93569 Spring Washer Or: 23688 Bushing— Governor Lever (with 3/8" dia. Flange) Used with	224	93491	Rivet—Governor Control Note: 93495 Rivet—Governor Control Lever Mtg. Used with 221517 Lever, 222597 Lever—Adapter and 230852 Bushing on Type Nos. 0633, 0685, 0709, 0736, 0766, 0830, 1009. For other Specials see Ref. 223.	268	66986	Casing—Control Wire— 48" long Note: If longer casing is needed, specify length in inches; if a shorter casing is needed order No. 66986 and cut to required length.
						269	26099	Wire—Control 54" long Note: If longer wire is needed specify length in inches; if shorter wire is needed order No. 26099 and cut to required length.
						270	63426	Locknut—Control Wire Casing
						271	290568	Lever Assy.—Control

REF. NO.	PART NO.	DESCRIPTION	REF. NO.	PART NO.	DESCRIPTION	REF. NO.	PART NO.	DESCRIPTION	
280	221384	Strap—Control Rod Note: 230944 Guide—Control Rod Used in 221384 Strap on Type Nos. 0015, 0023, 0024, 0025, 0035, 0036, 0037, 0049, 0070, 0268, 0270, 0460, 0461, 0462, 0487, 0489, 0536, 0563, 0566, 0586, 0616, 0617, 0688, 0700, 0719, 0720, 0732, 0753, 0774, 0785, 0824, 0828, 0829, 0837, 0874, 0896, 0901, 0919, 0960, 1012, 1020, 1095, 1125, 1158, 2015, 2035, 2036, 2039, 2049. 390341 Strap—Control Rod Used on Type Nos. 0148, 0154, 0158, 0160, 0174, 0184, 0194, 0230, 0247, 0281, 0316, 0325, 0327, 0336, 0337, 0340, 0364, 0416, 0422, 0435, 0439, 0451, 0458, 0471, 0480, 0481, 0485, 0514, 0520, 0568, 0573, 0607, 0608, 0620, 0635, 0636, 0649, 0660, 0691, 0718, 0731, 0751, 0752, 0795, 0827, 0855, 0859, 0861, 0881, 0914, 0950, 0969, 0978, 0981, 1000, 1014, 1022, 1024, 1025, 1034, 1041, 1058, 1083, 1096, 1119, 1127, 1132, 1157, 1166, 1170, 1202.	299	393368	Muffler—Exhaust (Round Lo-Tone) Note: 393010 Muffler—Exhaust Uses: 91464 Exhaust Elbow—90° Street Used on Type Nos. 0149, 0169, 0368, 0479, 0603, 0636, 0642, 0655, 0791, 1084. 393010 Muffler Only Used on Type No. 1201.				0252, 0253, 0259, 0261, 0266, 0269, 0272, 0275, 0284, 0285, 0288, 0289, 0294, 0297, 0305, 0318, 0322, 0334, 0341, 0375, 0381, 0415, 0555. 297506 Muffler—Exh. (Direct Outlet) Used on Type Nos. 0015, 0040, 0125, 0126, 0129, 0135, 0136, 0140, 0141, 0142, 0143, 0153, 0155, 0159, 0172, 0188, 0196, 0201, 0205, 0235, 0237, 0243, 0255, 0271, 0273, 0286, 0295, 0296, 0299, 0301, 0306, 0307, 0308, 0323, 0330, 0344, 0350, 0351, 0353, 0354, 0357, 0358, 0361, 0364, 0369, 0371, 0373, 0374, 0376, 0377, 0382, 0384, 0385, 0391, 0398, 0405, 0413, 0414, 0417, 0425, 0426, 0434, 0436, 0444, 0459, 0468, 0474, 0476, 0483, 0490, 0500, 0526, 0558, 0601, 0607, 0608, 0620, 0625, 0639. 390578 Muffler—Exh. Used on Type Nos. 0338, 0465, 0498. 391060 Muffler—Exh. Used on Type Nos. 0133, 0200.
			300	393615	Muffler—Exhaust Note: Parts furnished by equipment manufacturer: 222595 Shield—Heat Used on Type No. 0600.				
			300A	391313	Muffler—Exhaust Note: 391232 Guard—Muffler Uses: 93415 Screw (Guard and Retainer Mounting) 93606 Screw (Guard to Muffler Mounting) 222379 Retainer—Muffler 222361 Brace—Muffler Used on Type Nos. 0562, 0569, 0589, 0693, 0842, 0879.				
			300B	392101	Muffler—Exhaust (25 Super Lo-Tone)				
			300C	297274	Muffler—Exhaust (Side Outlet) Note: 89953 Muffler—Exhaust Used on Type Nos. 0316, 0349, 0407, 0587, 0675. 222291 Guard—Muffler (Mounted to Cylinder Head) Used on Type Nos. 0200, 0557. 294599 Muffler—Exh. Used on Type Nos. 0137, 0167, 0179, 0192, 0207, 0222, 0225, 0231, 0238, 0242, 0245, 0246.				
298	261409	Locknut—Muffler				300D	391435	Muffler—Exhaust	
						303	91464	Elbow—Exhaust, 90° Street Note: 91219 Elbow—Exhaust, 45° Street Used on Type Nos. 0246, 0266, 0313, 0316, 0341, 0375, 0400, 0415, 0465, 0479, 0542, 0555, 0587, 0636, 0637, 0655, 0675, 0738, 0791, 1084.	

130200 to 130299

REF. NO.	PART NO.	DESCRIPTION	REF. NO.	PART NO.	DESCRIPTION	REF. NO.	PART NO.	DESCRIPTION
304	299410	Housing—Blower			0418, 0419, 0424,			Note: 29693 Plug—Spark
	Note: 297855	Housing—Blower			0425, 0438, 0490,			2" High—51 M.M.
		Used on Type Nos.			0540, 0598, 0676,			293918 Plug—Spark
		0243, 0244, 0250,			0694, 0765, 0776,			1-1/2" High—
		0274, 0275, 0293,			0872, 0873, 0966,			37 M.M. (Resistor
		0294, 0296, 0310,			0970, 0972, 0973,			Type)
		0367.			0980.			392588 Plug—Spark
	298572	Housing—Blower			392173 Housing—			2" High—51 M.M.
		Blower			Blower			(Resistor Type)
	Uses:				Used on Type Nos.	340	26018	Spring—Breaker Arm
	222060	Spacer Starter	305	93158	0640, 0667, 0681.	341	93381	Screw—Breaker Arm
		Housing to Blower			Screw—Blower			Mounting Sem
		Housing			Housing Mounting	342	65704	Plunger—Breaker Point
	93042	Screw—Spacer	306	221511	Shield—Cylinder	344	93042	Screw—Condenser
		Mounting			Note: 222583 Shield—Cyl.			Clamp Mounting Sem
		Used on Type No.			Used on Type Nos.	345	220366	Cover—Breaker Point
		0147.			0592, 0640, 0641,			and Condenser
	299487	Housing—Blower			0647, 0764, 0862,			Note: 222168 Cover—Breaker
		Blower			0964.			Point and Condenser
		Used on Type Nos.			223110 Shield—Cyl.			Used on Type Nos.
		0017, 0129, 0130,			Used on Type Nos.			0017, 0018, 0101,
		0181, 0185, 0196,			1061, 1062, 1063,			0129, 0130, 0181,
		0205, 0208, 0221,			1077, 1098, 1101,			0185, 0196, 0205,
		0227, 0229, 0233,	307	93042	1137.			0208, 0221, 0227,
		0237, 0239, 0255,			Screw—Cylinder Shield			0229, 0233, 0237,
		0277, 0283, 0290,			Mounting Sem			0239, 0255, 0277,
		0298, 0319, 0324,	308	221512	Cover—Cylinder Head			0283, 0290, 0298,
		0350, 0355, 0357,			Note: 222291 Guard—Muffler			0319, 0324, 0345,
		0359, 0389, 0414,			(Mounted to Cylinder			0350, 0351, 0352,
		0420, 0431, 0501,			Head)			0353, 0355, 0357,
		0599, 0670, 0737,			Used on Type No.			0359, 0389, 0406,
		0892.			0200.			0409, 0414, 0418,
	390658	Housing—Blower	309		Motor—Starting			0419, 0420, 0422,
		Blower			See Chart on Page 7			0424, 0425, 0431,
		Used on Type Nos.			for Replacement Parts			0438, 0471, 0490,
		0025, 0119, 0121,			for Starting Motors			0501, 0540, 0592,
		0123, 0358, 0361,	325	299421	Starter Pulley with			0598, 0599, 0667,
		0373, 0388, 0391,			Screen			0670, 0764, 0765,
		0392, 0400, 0402,			Note: 221082 Pulley—Starter			0776, 0822, 0844,
		0411, 0417, 0427,			Used on Type No.			0862, 0872, 0877,
		0436, 0450, 0483,			0427.			0892, 0910, 0964,
		0493, 0496, 0511,	330	69932	Rope—Starter			0966, 0970, 0972,
		0539, 0554, 0592,	331	220865	Washer—Flywheel			0973, 0980, 1006,
		0660, 0725, 0733,	332	92284	Nut—Flywheel			1011, 1045, 1046,
		0764, 0782, 0802,	333	298316	Armature—Magneto			1047, 1051, 1055,
		0862, 0964, 0971,	334	93613	Screw—Armature			1061, 1062, 1063,
		1023, 1140, 1198.			Mounting Sem (2)			1077, 1088, 1089,
	390884	Housing—Blower	335	93414	Screw—Armature Mtg.			1093, 1098, 1101,
		Blower			Sem			1137, 1138, 1175.
		Used on Type Nos.	337	298809	Plug—Spark	346	93705	Screw—Sem
		0345, 0351, 0352,			1-1/2" High—			
		0353, 0406, 0409,			37-42 M.M.			

REF. NO.	PART NO.	DESCRIPTION	REF. NO.	PART NO.	DESCRIPTION	REF. NO.	PART NO.	DESCRIPTION
347	220884	Switch—Stop (For 1-1/2" High— 37 & 42 M.M. Spark Plugs)			0715, 0725, 0742, 0780, 0785, 0790, 0802, 0841, 0842, 0852, 0871, 0884, 0886, 0897, 0912, 0927, 0931, 0954, 0965, 0981, 0982, 0984, 0986, 0987, 0988, 0994, 0996, 1007, 1010, 1014, 1015, 1027, 1048, 1053, 1056, 1072, 1074, 1080, 1112, 1113, 1129, 1137, 1138, 1142, 1164, 1179.	392A	260847	Spring—Choke Friction
	Note:	221808 Switch—Stop (For 2" High—51 M.M. Spark Plugs)				394	270026	Diaphragm
		298927 Switch—Stop Used with 22963 Washer on Type No. 0731, 0751, 0752, 0827, 0855.				409	299837	Lever-Trol—Speed Control
		390785 Switch—Stop Used with 22963 Washer on Type Nos. 0219, 0272, 0286, 0383, 0529, 0570, 0583, 0683, 0702, 0745, 0785, 0809, 0834, 0838, 0907, 0923, 0941, 0965, 0999, 1059, 1107, 1124, 1135, 1159, 1181, 1185, 1197, 2015, 2035, 2036, 2038, 2039, 2049.			392074 Wire—Ground Used on Type Nos. 0576, 0598, 0599, 0645, 0676, 0678, 0702, 0734, 0764, 0765, 0938, 0957, 0964, 0966, 0970, 0972, 0973, 1017, 1045, 1046, 1047, 1077, 1088, 1089, 1098, 1114, 1125, 1141, 1158, 1175, 1180.	414	220982	Washer
351	93735	Screw—Terminal	357	91539	Key	423	93410	Screw—Sem
352	66068	Washer	358	297615	Gasket Set	432	221377	Cap—Spring
353	92791	Washer—Lock— Shakeproof (3)	362	291630	Shield—Spark Plug (with Stop Switch)	432A	221766	Cap—Choke Spring
354	90576	Nut—Hex.—8-32		Note:	89742 Shield—Spark Plug Used on Type Nos. 0466, 0482, 0661, 0669, 0773, 0779, 0783, 0800, 0832, 0886, 0904, 1129.	433	93265	Pin—Diaphragm Cover
355	66554	Washer—Insulating				434	210959	Cover—Diaphragm
356	299500	Wire—Ground				435	93141	Screw—Diaphragm Cover
	Note:	391115 Wire—Ground Used on Type Nos. 0326, 0330, 0347, 0354, 0372, 0373, 0380, 0385, 0386, 0388, 0391, 0400, 0410, 0411, 0417, 0427, 0429, 0433, 0434, 0436, 0444, 0450, 0466, 0467, 0468, 0474, 0476, 0477, 0482, 0483, 0486, 0495, 0496, 0503, 0518, 0525, 0570, 0572, 0574, 0575, 0582, 0585, 0586, 0590, 0595, 0609, 0618, 0623, 0627, 0656, 0665, 0669, 0693, 0694,	363	19069	Flywheel Puller (Optional Accessory)	445	392308	Cartridge—Air Cleaner
			372	220477	Clamp—Condenser	446	222844	Base—Air Cleaner
			373	92987	Nut—Hex.	447	93913	Screw—Air Cleaner
			375	294628	Breaker Points and Condenser Set	454	296178	Housing—Fuel Pipe Screen (for 3/16" O.D. Pipe)
				Note:	299061 Ignition Kit Includes: 294628 Set 65704 Plunger 61760 Key—Flywheel	467	212293	Knob—Air Cleaner
			383	89838	Wrench—Spark Plug	467A	391908	Knob—Choke Rod
			392	260455	Spring—Fuel Pump Diaphragm	473	93475	Screw—Sem
						474	394173	Stator Assembly— Alternator
						474A	390410	Alternator Assembly Note: 391052 Alternator Assy. Used on Type Nos. 0373, 0391, 0392, 0400, 0450, 0483, 0496.
						481	230970	Bushing—Stator
						482	93639	Screw—Alternator Armature Mounting
						506	90200	Screw—Machine, Fil. Hd.—8-32 x 1/2"
						507	66895	Insulator
						516	260374	Spring—Connector
						520	93722	Terminal—Spade
						521	298529	Shielding—Ignition Cable
						523	297357	Cap and Dipstick—Oil Filler
						524	65304	Gasket—Oil Filler Cap
						525	91258	Nipple—Oil Filler Note: Use 394884 Adapter Oil Filler with Nipple.
						526	93343	Screw—Tank Bracket Mounting Sem
						527	221514	Clamp—Breather Tube
						528	230722	Tube—Breather

130200 to 130299

REF. NO.	PART NO.	DESCRIPTION	REF. NO.	PART NO.	DESCRIPTION	REF. NO.	PART NO.	DESCRIPTION
529	67838	Grommet—Breather Tube			280025 Cup—Air Cleaner	612	296811	Pipe—Fuel
533	230149	Knob—Control Rod Uses: 93384 Nut—Hex.			Used on Type Nos. 0204, 0241, 0248, 0254, 0300, 0314.	613	93935	Screw—Hex. Hd. Shoulder Note: 93549 Screw—1/4-20 Hex. Hd.
534	93322	Screw—Air Cleaner Note: 230741 Stud—Air Cleaner	538	390756	Rod—Control	613A	93704	Screw—Muffler Mtg.
		92067 Nut—Wing Used on Type Nos. 0204, 0241, 0248, 0254, 0300, 0314, 0348, 0356, 0370, 0378, 0403, 0422, 0442, 0452, 0471, 0472, 0480, 0481, 0484, 0505, 0560, 0661, 0668, 0687, 0691, 0701, 0767, 0788, 0914, 0936.	538A	299545	Rod—Control	613B	93377	Screw—Muffler Mtg.
534A	93825	Screw—Air Cleaner	539	221372	Clip—Control Rod	614	93306	Cotter—Hair Pin
535	27987	Element—Air Cleaner Note: 270209 Element—Air Cleaner	539A	93784	Clamp—Choke Rod	615	93307	Retainer—E-Ring
		Used on Type Nos. 0204, 0241, 0248, 0254, 0300, 0314. 390492 Element—Air Cleaner Uses: 390588 Cover—Air Cleaner	541	22398	Washer	616	231077	Crank—Governor (1/4" Dia.) (Used after Code No. 75060507) Note: 230723 Crank—Gov. (3/16" Dia.) (Used before Code No. 75060607)
		221969 Support—Air Cleaner	542	92265	Screw			
		270730 Gasket—Air Cleaner Used on Type Nos. 0348, 0356, 0370, 0378, 0403, 0422, 0442, 0452, 0471, 0472, 0480, 0481, 0484, 0505, 0560, 0661, 0668, 0687, 0691, 0701, 0767, 0788, 0914, 0936.	549	271118	Washer—Air Cleaner			
535A	270979	Element—Air Cleaner	549A	270978	Washer			
536	297036	Cleaner Assembly—Air Note: 299593 Cleaner Assy.—Air Uses: 221969 Support—Air Cleaner	552	231079	Bushing—Governor Crank (1/4" I.D.) (Used after Code No. 75060507) Note: 230732 Bushing—Gov. Crank (3/16" I.D.) (Used before Code No. 75060607)	621	297472	Switch—Stop
			562	92613	Bolt—Governor Lever	624	390383	Crank—Bell (Includes Bell Crank Link) Note: 222476 Crank—Bell Used on Type Nos. 0521, 0528, 0530, 0679, 0818, 0838, 0923, 0937, 0941, 0946, 0956, 0961, 1036, 1048, 1049, 1050, 1181.
			592	231082	Nut—Hex.—10-24			
			608	390463	Starter Assy.—Rewind Note: 297259 Str. Assy.—Rewind Used on Type Nos. 0222, 0257, 0267, 0269, 0303. 298573 Starter Assy.—Rewind (Cast Hsg.) Used on Type No. 0147.	626	230749	Spacer—Governor Crank
			608A	297372	Starter Assy.—Rewind (10 o'clock position) Note: 394475 Starter Assy.—Rewind (10 o'clock) Used on Type Nos. 1045, 0146, 1047, 1051, 1089, 1094, 1138, 1175. 394490 Starter Assy.—Rewind (3 o'clock) Used on Type Nos. 1061, 1062, 1063, 1077, 1098, 1101, 1137.	629	261094	Spring—Throttle Return Note: 261137 Spring—Throttle Return Uses: No. 222268 Connector between Lever on Tank Bracket and Control Wire. Used on Type Nos. 0343, 0354, 0372, 0380, 0391, 0400, 0410, 0411, 0444, 0450, 0474, 0483, 0495, 0496, 0897, 0988, 0997.
			609	260694	Spring—Throttle Link	630	222597	Lever—Adapter
			611	391813	Fuel Pipe and Clip Assembly Note: 297219 Pipe—Fuel (1 Quart) Used on Type No. 1181.	631	230852	Bushing
						634	270167	Washer, Throttle Shaft (Felt)

130200 to 130299

REF. NO.	PART NO.	DESCRIPTION	REF. NO.	PART NO.	DESCRIPTION	REF. NO.	PART NO.	DESCRIPTION
852	392368	Cleaner Group—Air Note: For Dual Element Air Cleaner Kit Order No. 393018.	870	211172	Seat—Exhaust Valve (Standard) Note: For Options see Repair Manual	878	393422	Alternator Harness Assembly
854	392884	Bracket Assembly— Stop Switch	871	63709	Guide—Exhaust Valve	883	270918	Gasket—Muffler
869	211787	Seat—Intake Valve (Standard)	877	393854	Diode and Connector Assembly	905	394510	Shield—Sno Gard
						905A	394511	Shield—Sno Gard
						915	222933	Liner—Port